

STOWaway®

Folding Truss System

PAT.US 6,715,255 B2

SNAPtruss®

Truss System

PAT.US 4776721

Panel Clamp

The Interlock Panel Clamp works with both STOWaway® and SNAPtruss® truss systems.

Part Number SAU38

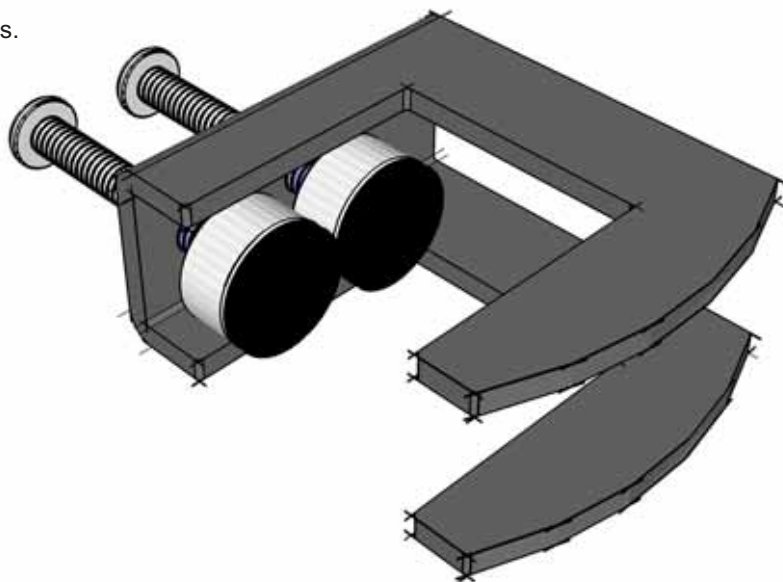
Specifications

FABRICATION:

Formed Steel
Powdercoated Finishes,
Black or Silver

FEATURES:

Holds Slatwall & Metal Grid Panels
Flush or Surface Mount
Design Flexibility
Heavy Duty Construction



Contact your Interlock representative for requirements for your STOWaway® or SNAPtruss® project.

Truss Systems

Aluminum Extrusion Systems

Custom Metal Fabrication

INTERLOCK
STRUCTURES
THE LOOK THAT SELLS™

800.468.1497
www.interlock.biz



STYLE STRENGTH SERVICE

08.14.2006

STOWaway®

Folding Truss System

PAT.US 6,715,255 B2

SNAPtruss®

Truss System

PAT.US 4776721

Panel Clamp

The Interlock Panel Clamp works with both STOWaway® and SNAPtruss® truss systems.

Part Number SAU38



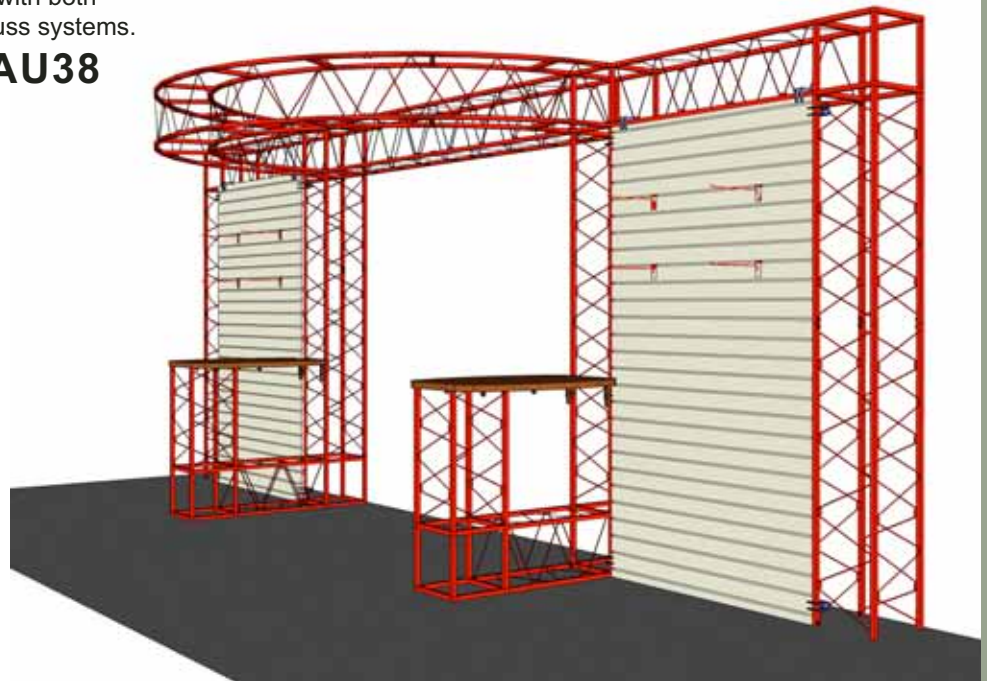
Specifications

FABRICATION:

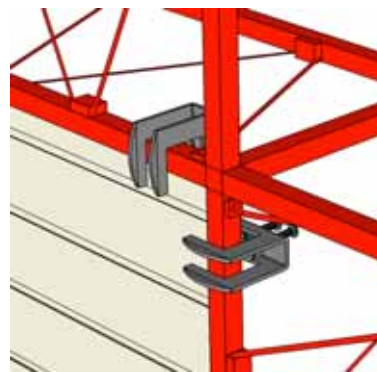
Formed Steel
Powdercoated Finishes,
Black or Silver

FEATURES:

Holds Slatwall & Metal Grid Panels
Flush or Surface Mount
Design Flexibility
Heavy Duty Construction



Surface
Mount



Flush
Mount

Contact your Interlock representative for requirements for your STOWaway® or SNAPtruss® project.

Truss Systems

Aluminum Extrusion Systems

Custom Metal Fabrication

INTERLOCK
STRUCTURES
THE LOOK THAT SELLS™

800.468.1497
www.interlock.biz



Member

STYLE STRENGTH SERVICE

08.14.2006