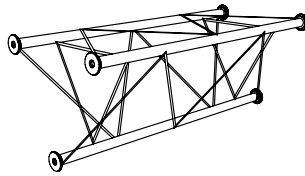


Vertex Guide

Table of Contents



SNAPtruss[®]

PAT.US 4776721

| | |
|---------------------------|--------|
| 90° Corner AKB | Page 2 |
| 90° Corner 3 Way AKS | Page 3 |
| 3 Way Intersection AKG | Page 4 |
| 4 Way Intersection AKJ | Page 5 |

INTERLOCK[®]

Interlock Structures International, Inc.



Member

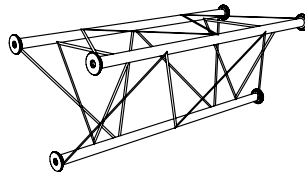
7316 Aspen Lane North
suite 300
Minneapolis MN 55428-1109

e mail: info@interlockstructures.com
web: www.interlock.biz

voice: 763.425.1464
800.468.1497
fax: 763.425.8205

Vertex Guide

Square Corner 90°
AKB1, AKB2, & AKB3



SNAPtruss®

PAT.US 4776721



Horizontal Vertex
(HV) Up*



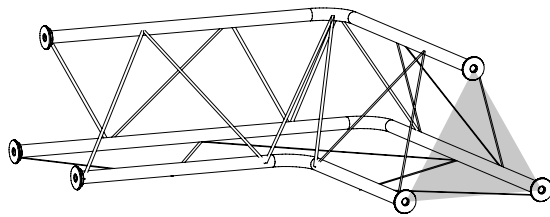
Horizontal Vertex
(HV) Down*



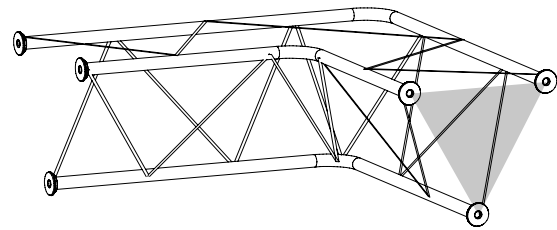
Inside Vertex
(IV)*



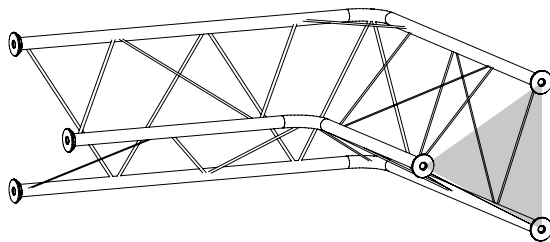
Outside Vertex
(OV)*



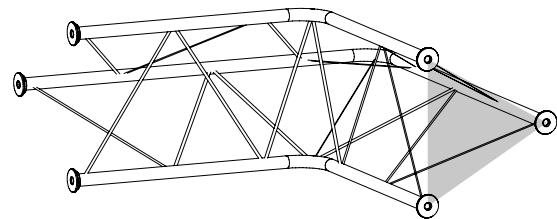
AKB1 ▲



AKB1 ▼



AKB2 ◀



AKB3 ▶

*NOTE: Vertex orientation is related to parts as shown.

INTERLOCK®

Interlock Structures International, Inc.



Member

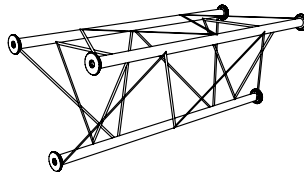
7316 Aspen Lane North
suite 300
Minneapolis MN 55428-1109

e mail: info@interlockstructures.com
web: www.interlock.biz

voice: 763.425.1464
800.468.1497
fax: 763.425.8205

Vertex Guide

Square Corner 90° 3 Way
AKS1, AKS2, AKS3, & AKS4



SNAPtruss®

PAT.US 4776721



Horizontal Vertex
(HV) Up*



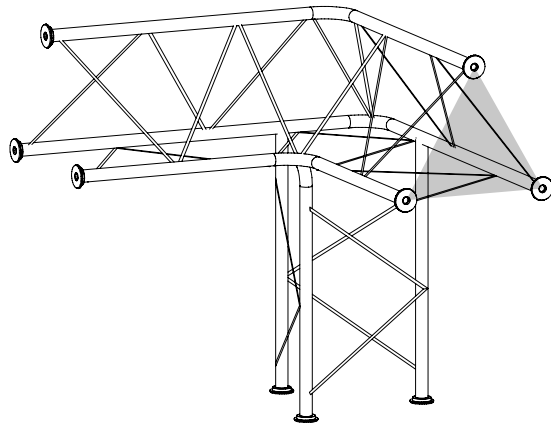
Horizontal Vertex
(HV) Down*



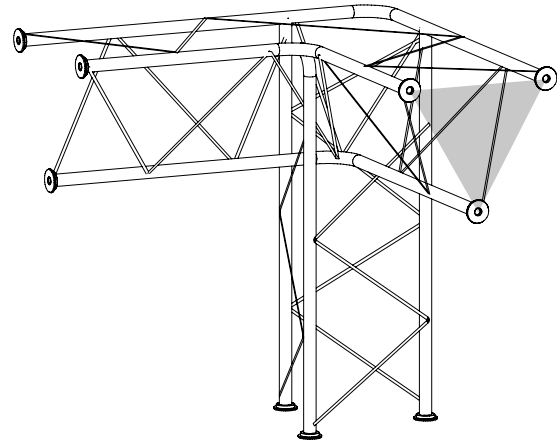
Inside Vertex
(IV)*



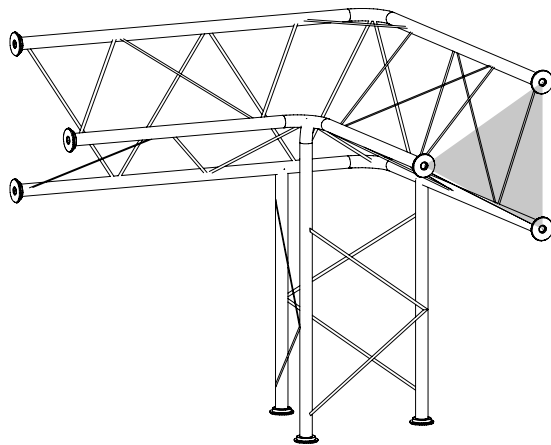
Outside Vertex
(OV)*



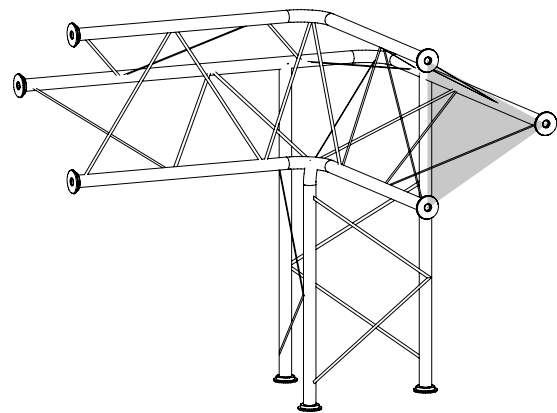
AKS1 



AKS4 



AKS2 



AKS3 

*NOTE: Vertex orientation is related to parts as shown.

INTERLOCK®

Interlock Structures International, Inc.



Member

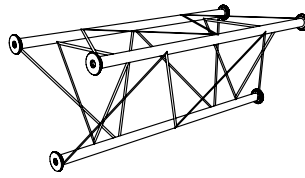
7316 Aspen Lane North
suite 300
Minneapolis MN 55428-1109

e mail: info@interlockstructures.com
web: www.interlock.biz

voice: 763.425.1464
800.468.1497
fax: 763.425.8205

Vertex Guide

3 Way Intersection
AKG1, AKG2, AKG3, & AKG4



SNAPtruss[®]
PAT.US 4776721



Horizontal Vertex
(HV) Up*



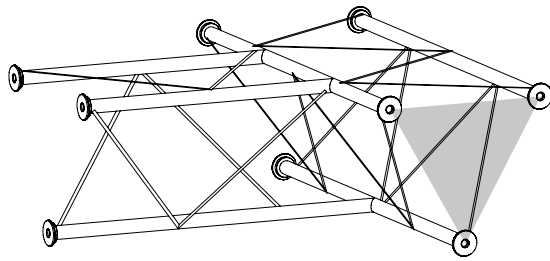
Horizontal Vertex
(HV) Down*



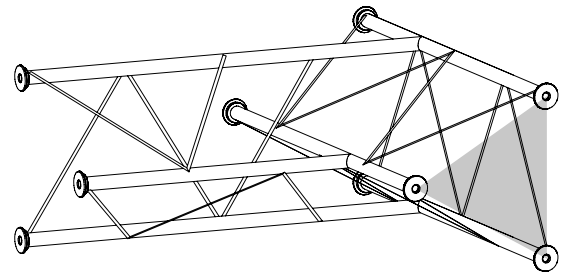
Inside Vertex
(IV)*



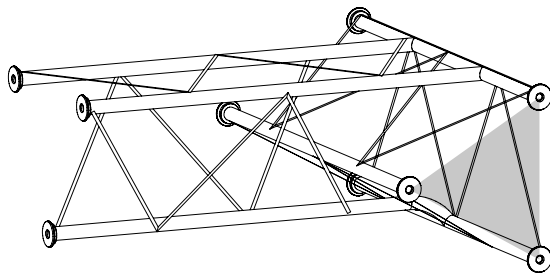
Outside Vertex
(OV)*



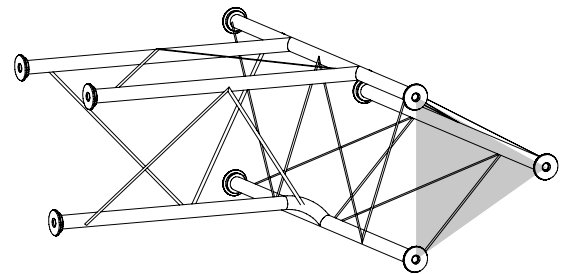
AKG1 ▾



AKG4 ◀
(on 2 planes)



AKG2 ◀



AKG3 ▶

***NOTE: Vertex orientation is related to parts as shown.**

INTERLOCK[®]
Interlock Structures International, Inc.



Member

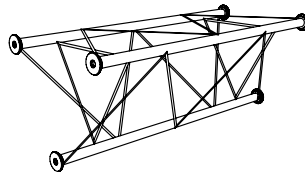
7316 Aspen Lane North
suite 300
Minneapolis MN 55428-1109

e mail: info@interlockstructures.com
web: www.interlock.biz

voice: 763.425.1464
800.468.1497
fax: 763.425.8205

Vertex Guide

4 Way Intersection
AKJ1, AKJ2, & AKJ3



SNAPtruss[®]
PAT.US 4776721



Horizontal Vertex
(HV) Up*



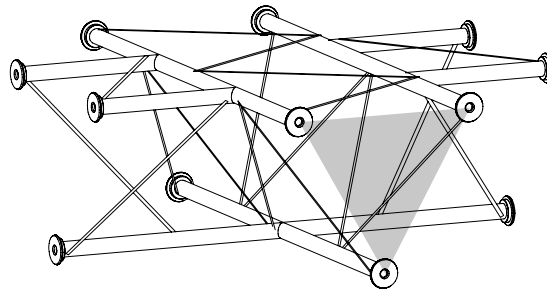
Horizontal Vertex
(HV) Down*



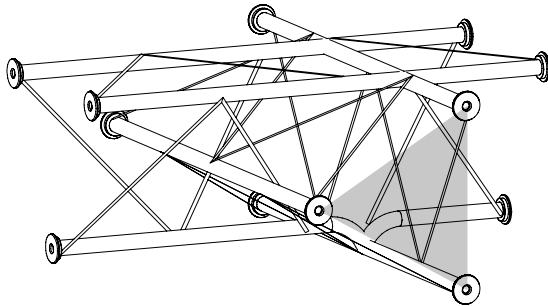
Inside Vertex
(IV)*



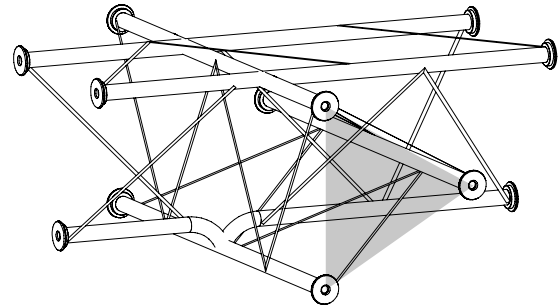
Outside Vertex
(OV)*

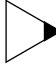


AKJ1 



AKJ2 



AKJ3 

*NOTE: Vertex orientation is related to parts as shown.

INTERLOCK[®]
Interlock Structures International, Inc.



Member

7316 Aspen Lane North
suite 300
Minneapolis MN 55428-1109

e mail: info@interlockstructures.com
web: www.interlock.biz

voice: 763.425.1464
800.468.1497
fax: 763.425.8205