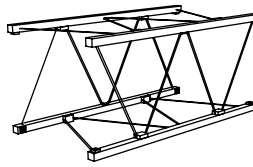


Assembly Instructions

SAU7 Swivel Connector

Please read through before starting!



STOWaway®

PAT.US 6,715,255 B2

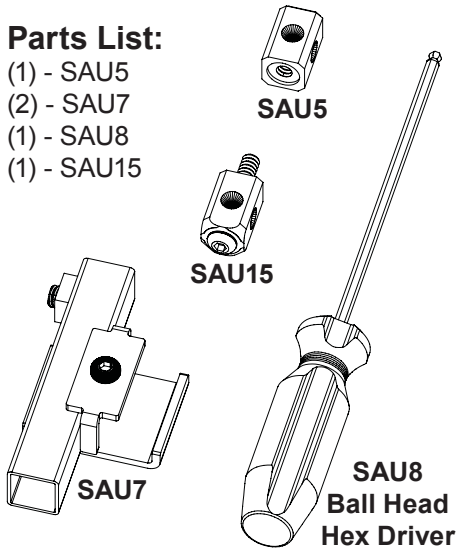
Folding Truss System

Step 1

Check CAD Drawings for correct angle then reference Item number's and part numbers in Bill of Materials with **Parts List** below.

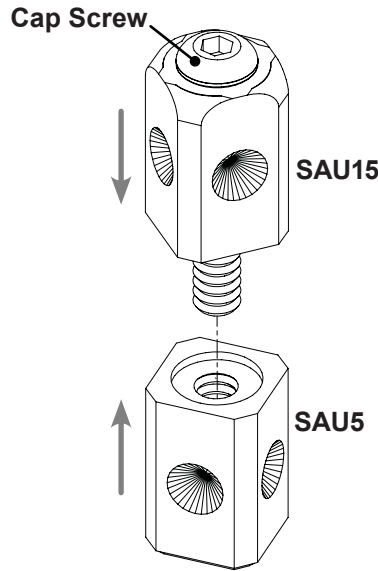
Parts List:

- (1) - SAU5
- (2) - SAU7
- (1) - SAU8
- (1) - SAU15



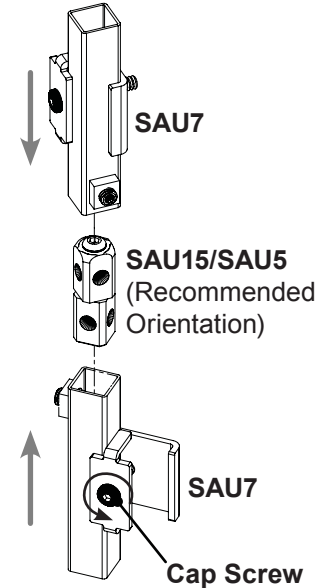
Step 2

Connect **SAU15** to **SAU5** with the **Cap Screw** provided.



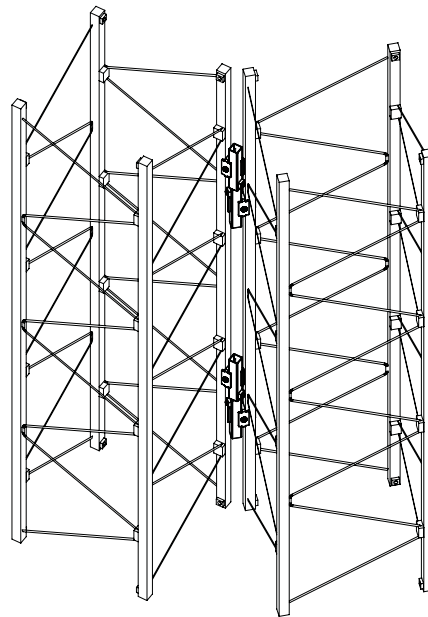
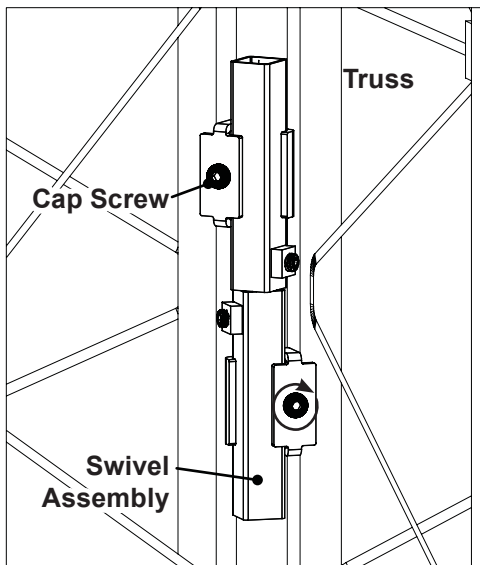
Step 3 (Swivel Assembly)

Attach **SAU7**'s to **SAU15/SAU5** assembly as shown. Then loosen **Cap Screws** on **SAU7**'s.



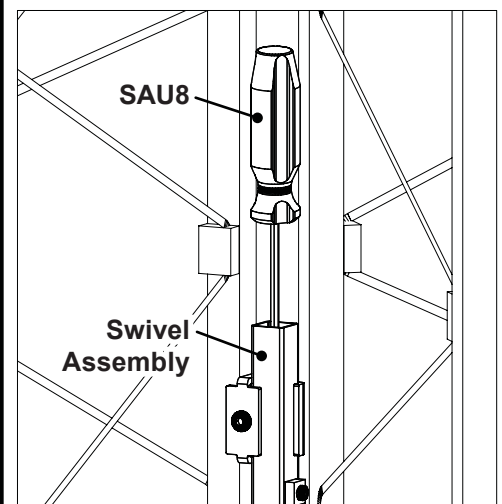
Step 4

Connect the **Swivel Assembly** to the **Truss Structure** at desired angle. Then tighten **Cap Screws** on **SAU7**'s.



Step 5

Once the structure with **Swivel Assembly** is at the desired angle, use the **SAU8** ball head hex driver to tighten the connection between the **SAU5** & **SAU15** and lock the angle in place.



52685 - 08/20/07



Member

7316 Aspen Lane North
suite 300
Minneapolis MN 55428-1109

e mail: info@interlockstructures.com
web: www.interlock.biz

INTERLOCK®

Interlock Structures International, Inc.

voice: 763.425.1464
800.468.1497
fax: 763.425.8205