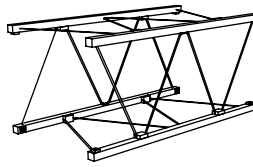


Assembly Instructions

Canopy Light Kit SAU32, SAU33



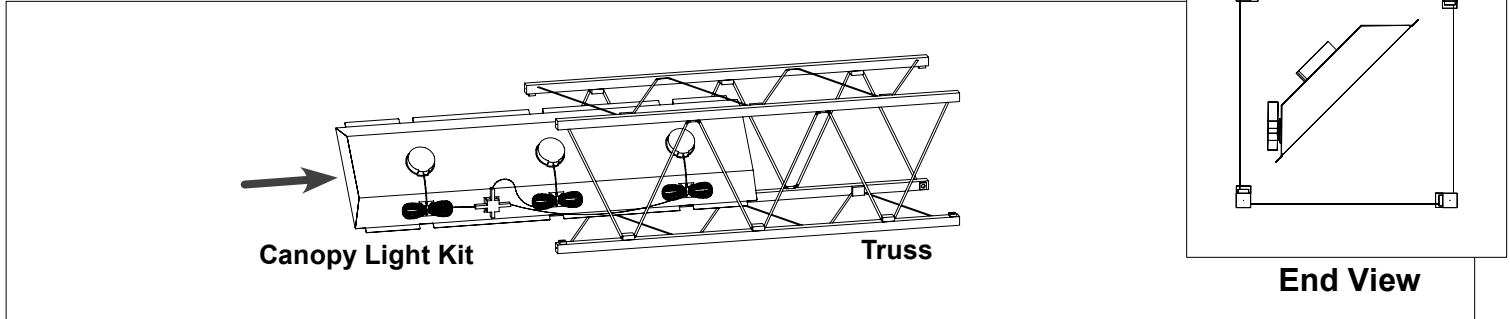
STOWaway®

PAT.US 6,715,255 B2

Folding Truss System

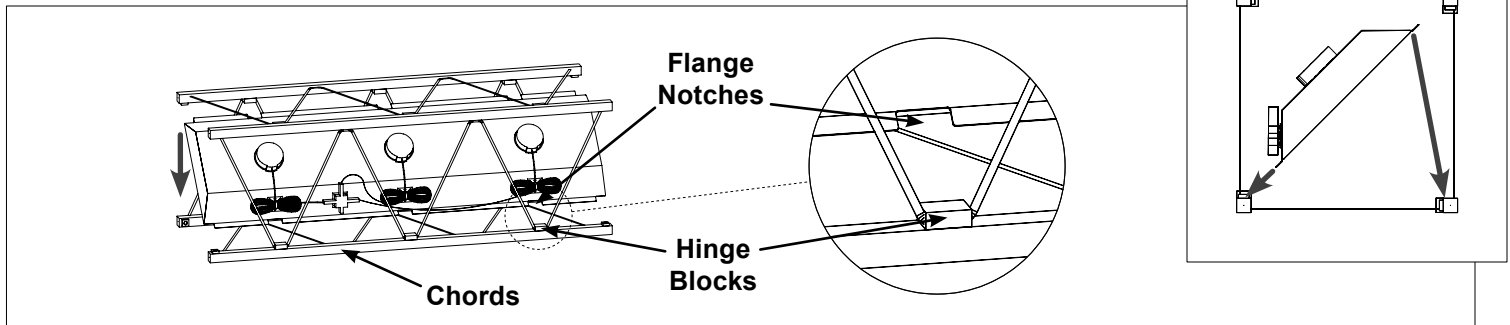
Step 1

Unfold **Truss** and insert **Canopy Light Kit** at 45° angle.



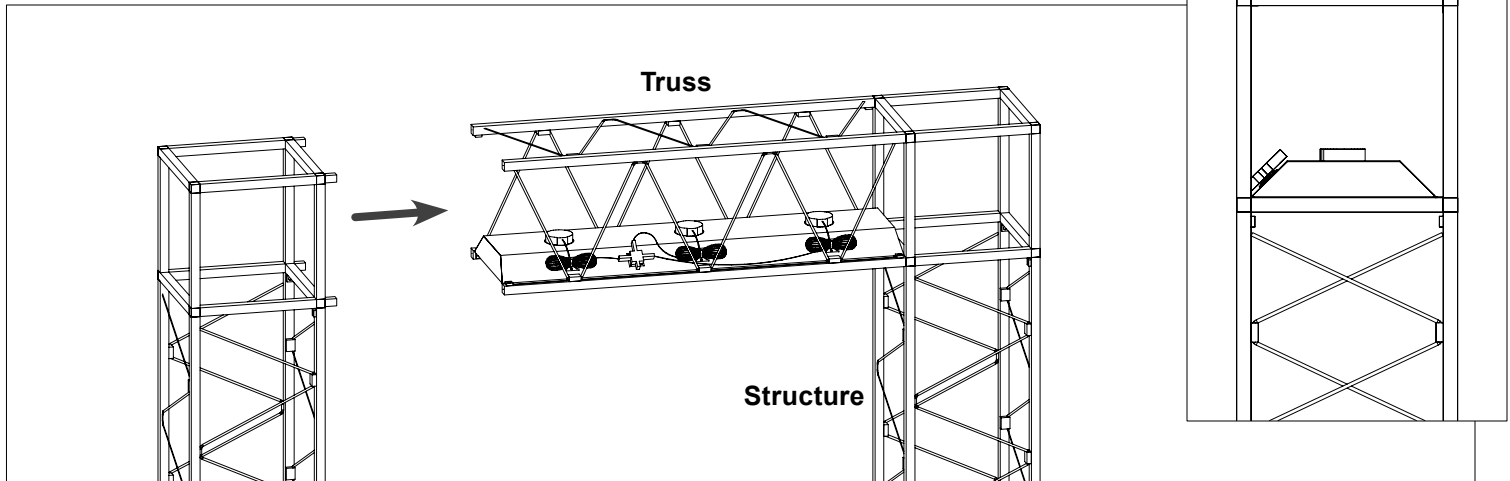
Step 2

Align **Flange Notches** with **Hinge Blocks** and place on lower **Chords**.



Step 3

Connect **Truss** to **Structure**, and Canopy Light Kit to power supply.



46038 - 08/02/06



Member

7316 Aspen Lane North
suite 300
Minneapolis MN 55428-1109

e mail: info@interlockstructures.com
web: www.interlock.biz

INTERLOCK®

Interlock Structures International, Inc.

voice: 763.425.1464
800.468.1497
fax: 763.425.8205