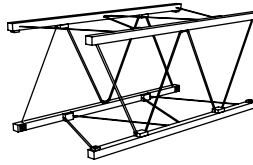


Assembly Instructions

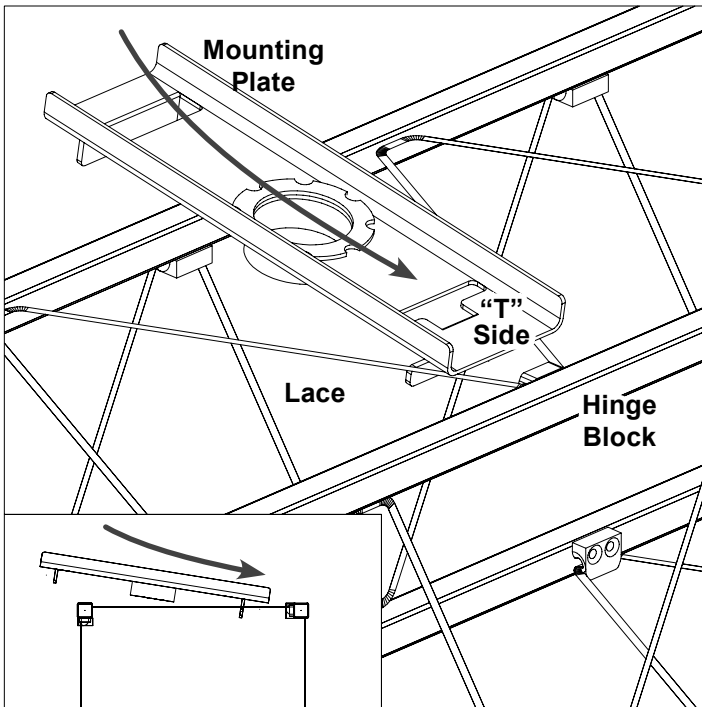
Flat Screen Hanging Mount



STOWaway[®]

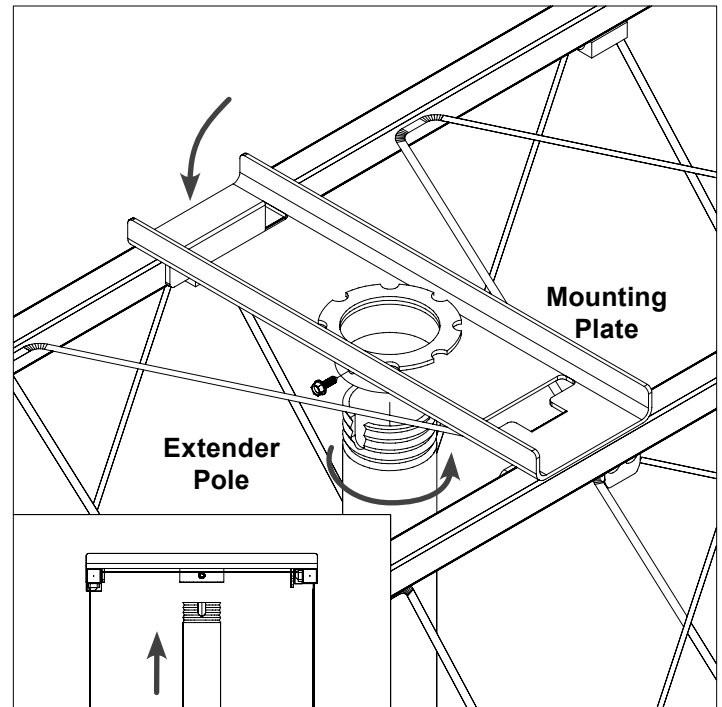
PAT.US 6,715,255 B2

Folding Truss System



Step 1

Slide the **Mounting Plate** with the **"T" Side** in between the **Lace** and against the **Hinge Block**.



Step 2

Drop the **Mounting Plate** down into position.

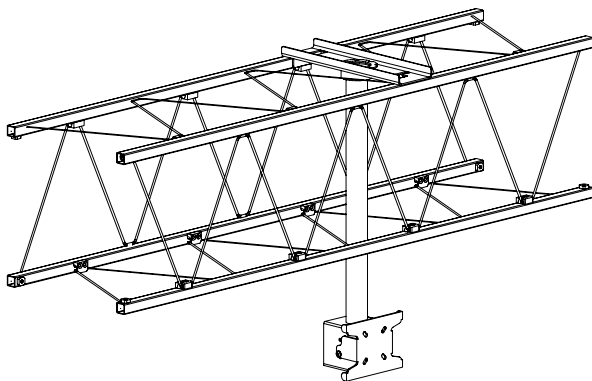
Step 3

Screw in the **Extender Pole**, and secure it with the screw provided.

Step 4

Use the instructions provided with the **Monitor Mount** to complete the rest of the assembly.

IMPORTANT: The **Mounting Plate** must be used with the **"T" Side** against the **Hinge Block**. **DO NOT** use the **Mounting Plate** against the side where the **Lace** is welded to the tube.



41087 - 08/04/06



Member

7316 Aspen Lane North
suite 300
Minneapolis MN 55428-1109

e mail: info@interlockstructures.com
web: www.interlock.biz

voice: 763.425.1464
800.468.1497
fax: 763.425.8205

INTERLOCK[®]

Interlock Structures International, Inc.