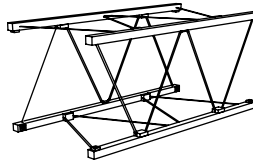


Assembly Instructions

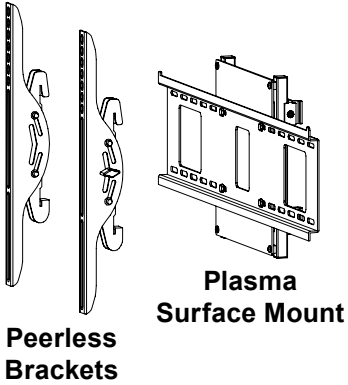
Plasma Surface Mount SAU30



STOWaway®

PAT.US 6,715,255 B2

Folding Truss System



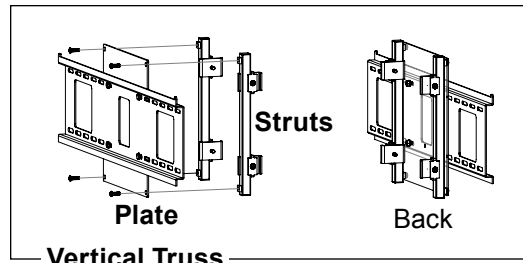
Peerless
Brackets

Plasma
Surface Mount

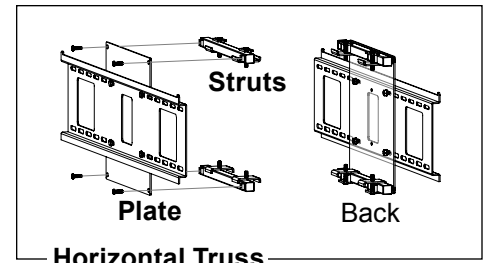
Step 1

Configure the **Struts** on back of **Plasma Surface Mount** accessory for connection to **Vertical** or **Horizontal Truss**. The SAU30 is shipped from the factory with the **Struts** configured for **Vertical Truss**.

To reconfigure strut orientation, remove **Struts** from **Plate** and reattach in orientation needed as shown below.

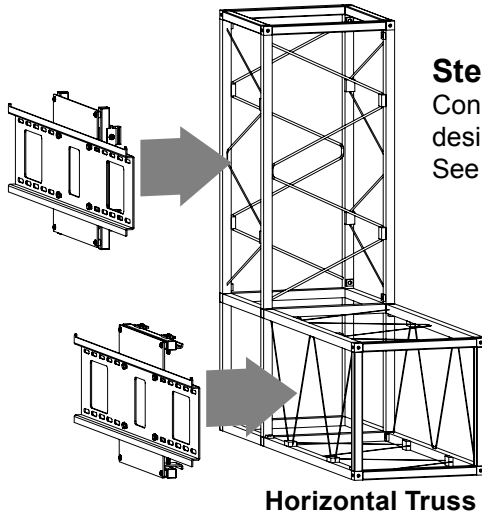


Vertical Truss



Horizontal Truss

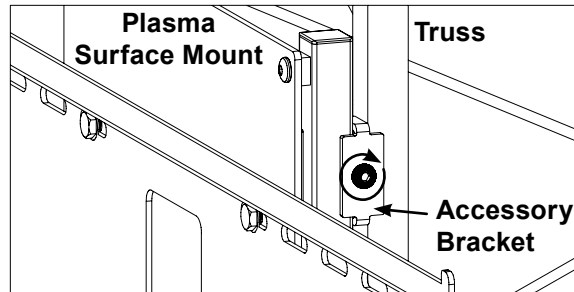
Vertical Truss



Horizontal Truss

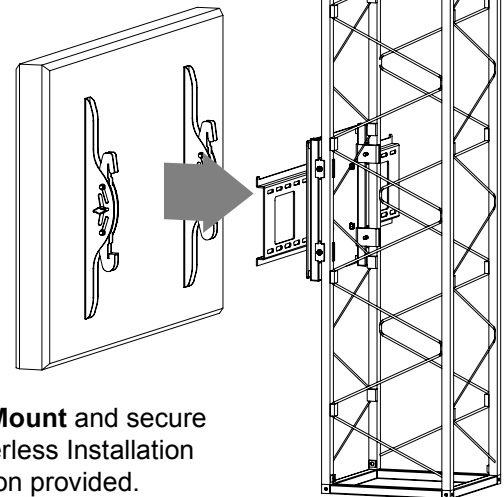
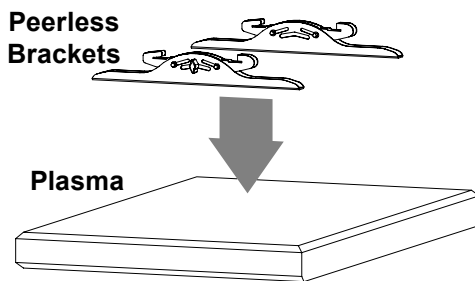
Step 2

Connect the **Plasma Surface Mount** accessory to **Truss** at desired location securely with attached **Accessory Brackets**. See Accessory Bracket Instructions for more information.



Step 3

Connect **Peerless Brackets** to your **Plasma** following instructions in Peerless Installation and Assembly documentation provided by manufacturer.



Step 4

Hang your **Plasma** with attached **Peerless Brackets** onto **Plasma Surface Mount** and secure following instructions in Peerless Installation and Assembly documentation provided.

46020 - 06/08/06

INTERLOCK®

Interlock Structures International, Inc.



Member

7316 Aspen Lane North
suite 300
Minneapolis MN 55428-1109

e mail: info@interlockstructures.com
web: www.interlock.biz

voice: 763.425.1464
800.468.1497
fax: 763.425.8205