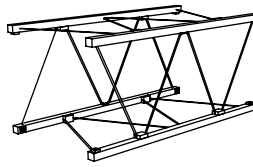


Assembly Instructions

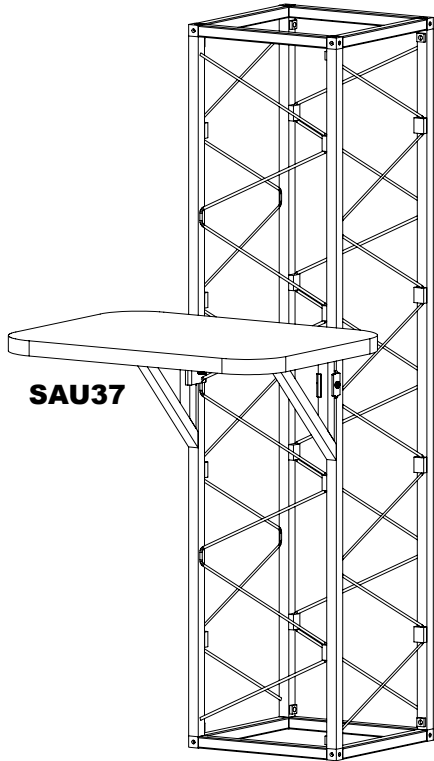
Lap Top Kit SAU37



STOWaway®

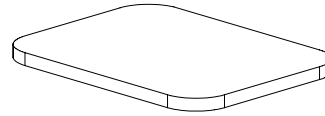
PAT.US 6,715,255 B2

Folding Truss System

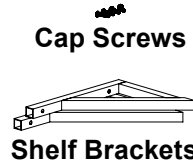


Parts List:

- (1) - Laptop Shelf
- (2) - Shelf Brackets
- (4) - Cap Screws
- (2) - Accessory Brackets



Laptop Shelf

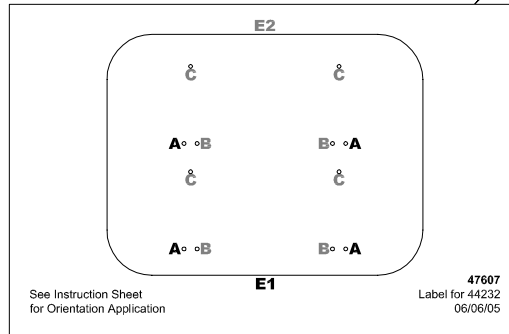


Shelf Brackets

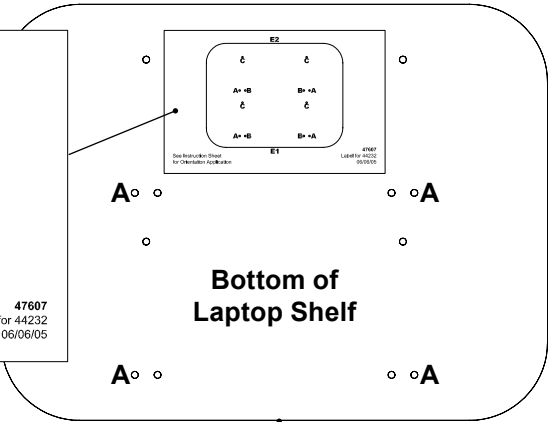
Cap Screws



Accessory Brackets



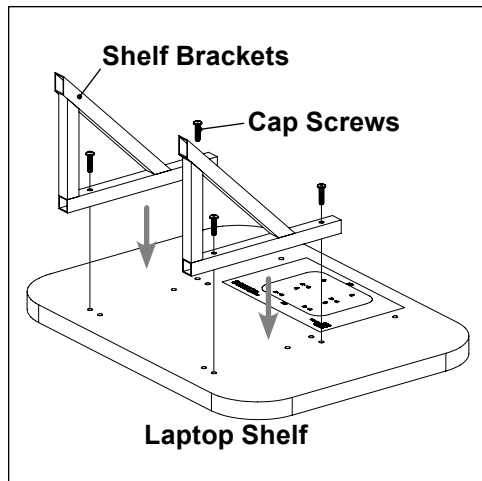
LABEL



Bottom of Laptop Shelf

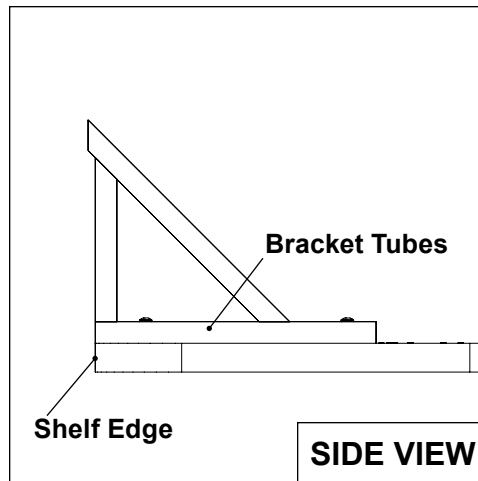
Step 1

Refer to **Label** on bottom of **Laptop Shelf** and locate holes marked "A", and edge marked "E1" (use **Label** to orient shelf & determine edge "E1").



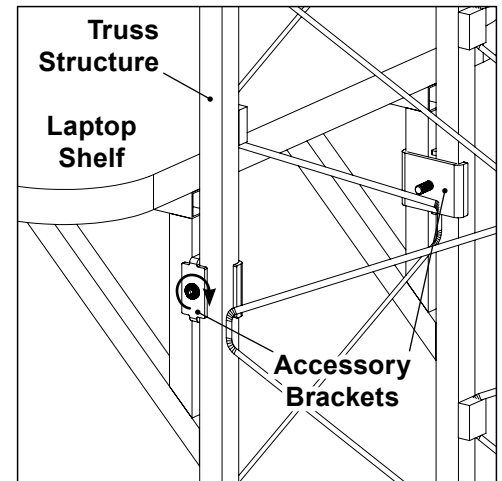
Step 2

Connect **Shelf Brackets** to the **Laptop Shelf** using holes marked "A" on label with **Cap Screws**.



Step 3

Insure that **Bracket Tubes** are oriented as shown with **Shelf Edge** marked "E1" on label and tighten cap screws. Once attached, outside measurement of brackets should be 16.5".



Step 4

Attach **Laptop Shelf** with Brackets to **Truss Structure** in desired location with **Accessory Brackets**.

52058 - 12/01/06

INTERLOCK®

Interlock Structures International, Inc.



Member

7316 Aspen Lane North
suite 300
Minneapolis MN 55428-1109

e mail: info@interlockstructures.com
web: www.interlock.biz

voice: 763.425.1464
800.468.1497
fax: 763.425.8205