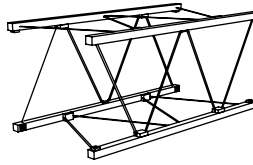


Assembly Instructions

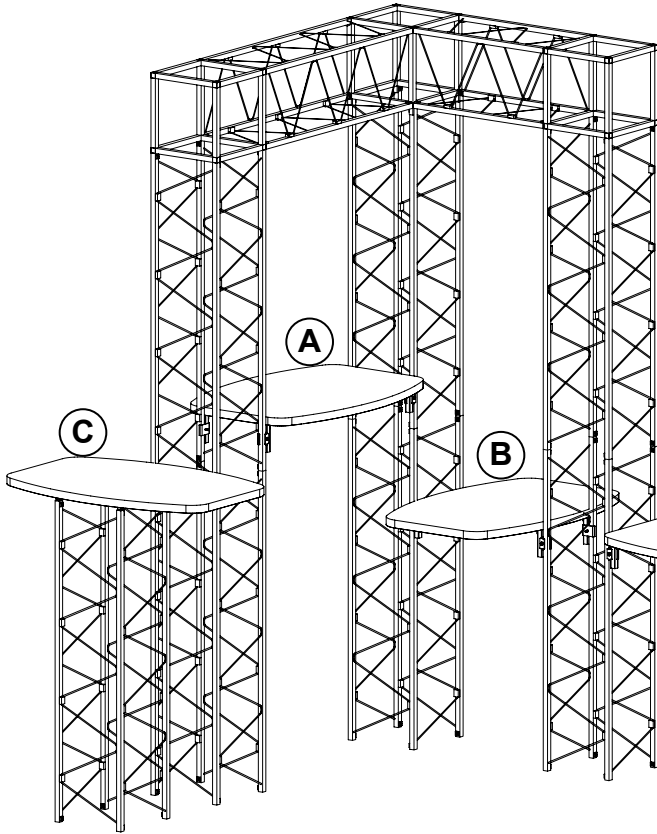
Counter Top Kit SAU13



STOWaway®

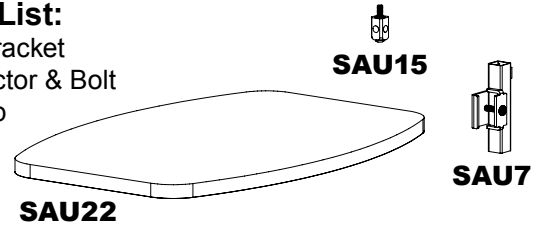
PAT.US 6,715,255 B2

Folding Truss System

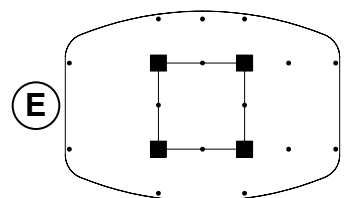
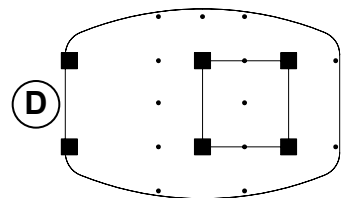
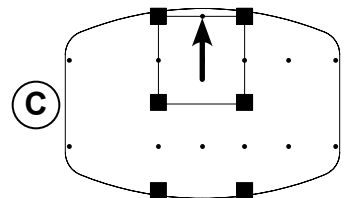
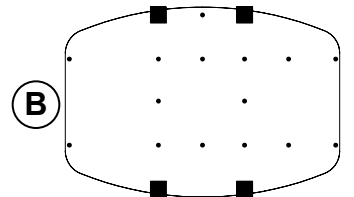
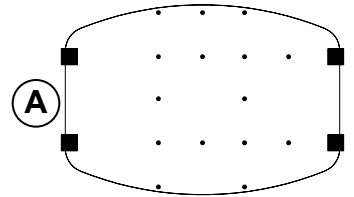


Counter Top Parts List:

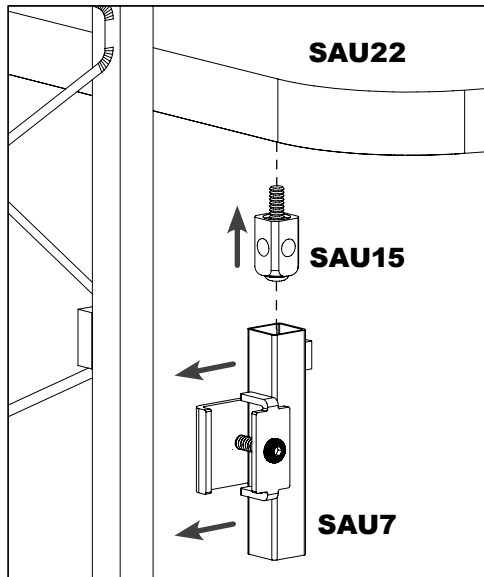
- 4 - SAU7 Accessory Bracket
- 6 - SAU15 Half Connector & Bolt
- 1 - SAU22 Counter Top



Note: **C**
Configuration C box truss location must be on the side with three inserts (see the arrow on configuration C).



SAU15
Configurations



Step 1

Screw the SAU15 (half connector) to the SAU22 (counter) in the desired position.

Step 2

If there is a Truss support leg, attach it to the counter top for support (see orientations C, D, & E). If not (see orientations A & B) then temporarily use a truss section to support the counter at desired height.

Step 3

Tighten SAU7's (accessory bracket) to the truss and the SAU22 (counter). Important: Orientation of the SAU7's two halves are important. See detail.

41068 - 07/31/06

INTERLOCK®

Interlock Structures International, Inc.



Member

7316 Aspen Lane North
suite 300
Minneapolis MN 55428-1109

e mail: info@interlockstructures.com
web: www.interlock.biz

voice: 763.425.1464
800.468.1497
fax: 763.425.8205