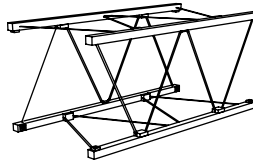


Assembly Instructions

Recessed Shelf SAU1, SQA3A, SQA4A



STOWaway®

PAT.US 6,715,255 B2

Folding Truss System

IMPORTANT:

All eight connectors must be inserted and tightened securing the **Shelf Truss Sections** both top and bottom. (shown in **Figure 1**, also see the **Connection Detail Sheet** for connector detail)

Note: **Holes** in the shelf truss sections need to face in towards each other. This is so the legs on the tray engage the holes in the shelf truss sections. (shown in **Figure 1a**)

WARNING: You can not use more than one pair of shelf truss sections in a column of truss.

Shelf Orientations

When used properly all four **Tray Legs** must be engaged into shelf **Truss Section Holes**. (shown in **Figure 4**)

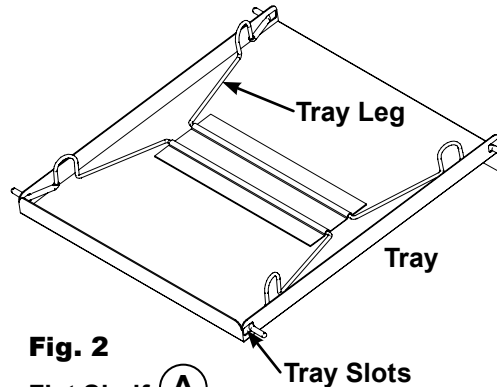
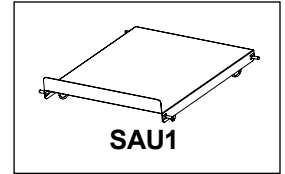


Fig. 2

Flat Shelf (A)

Note: **Tray** is shown upside down. All four **Tray Legs** are to be inserted into **Tray Slots**, when used in the flat position. (shown in **Figure 4**)

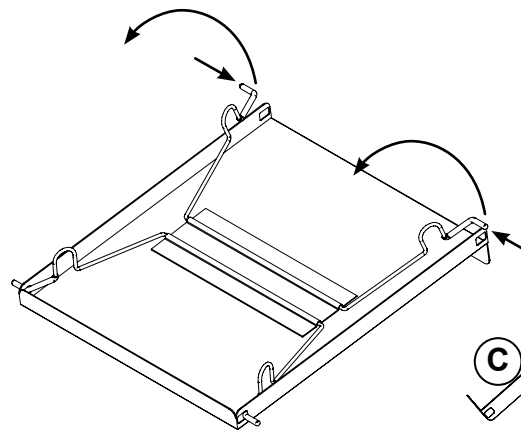


Fig. 3

Angled Shelf (B C D)

Note: **Tray** is shown upside down. When adjusting the shelf angle, disengage one set of **Tray Legs** and locate in desired hole location. (shown in **Figure 4**)

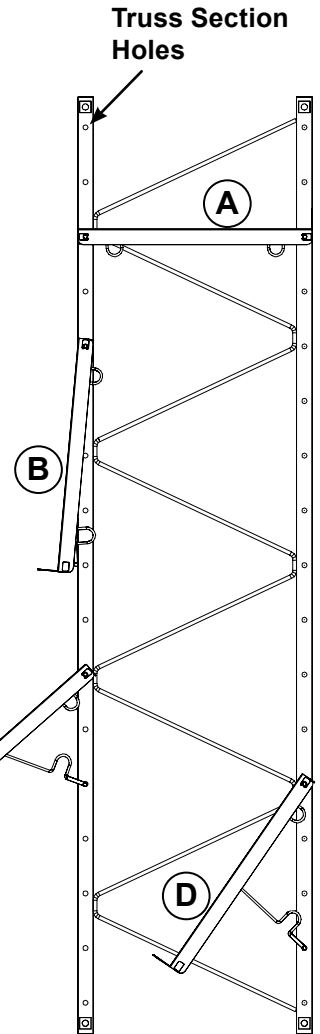


Fig. 4
Side View

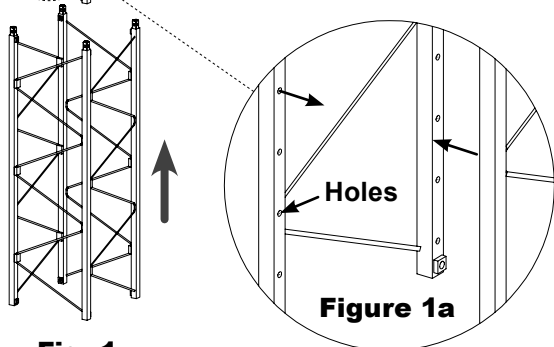
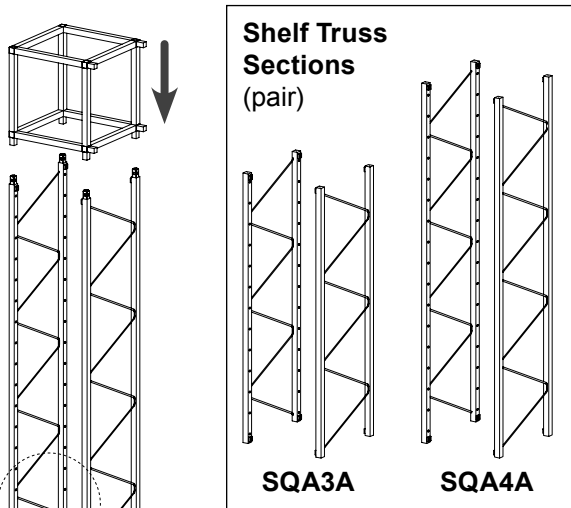


Fig. 1

41083 - 07/27/06



Member

7316 Aspen Lane North
suite 300
Minneapolis MN 55428-1109

e mail: info@interlockstructures.com
web: www.interlock.biz

INTERLOCK®

Interlock Structures International, Inc.

voice: 763.425.1464
800.468.1497
fax: 763.425.8205