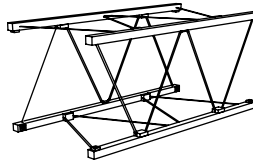


# Assembly Instructions

## Decorative Top Cap SAU36

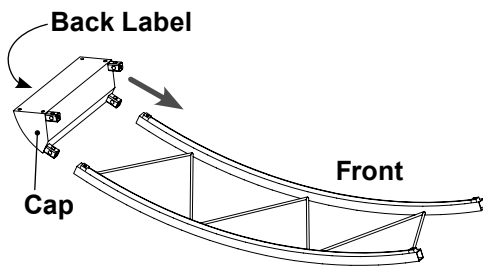
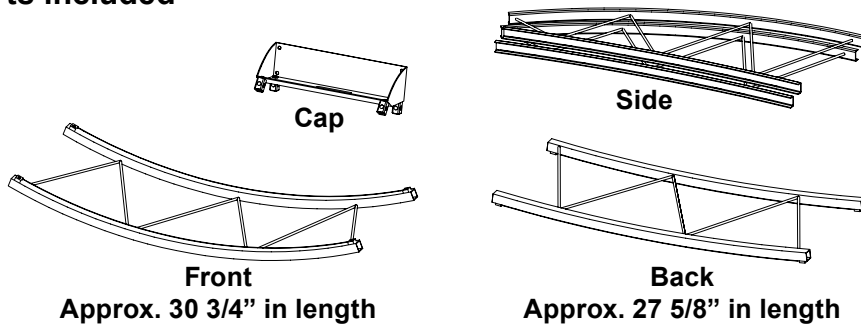


# STOWaway®

PAT.US 6,715,255 B2

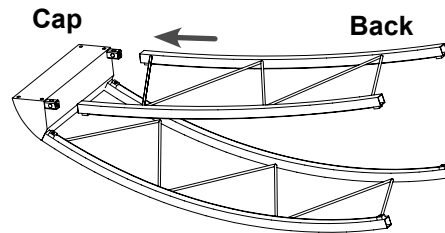
## Folding Truss System

### Parts included



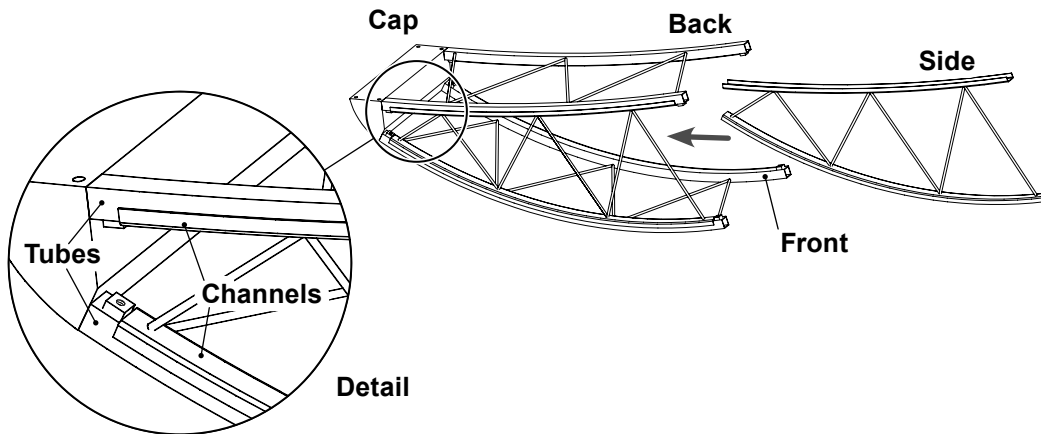
### Step 1

Start by laying the **Front** face down on a soft surface that will not scratch paint and loosely attach **Cap** with **Back Label** pointing up.



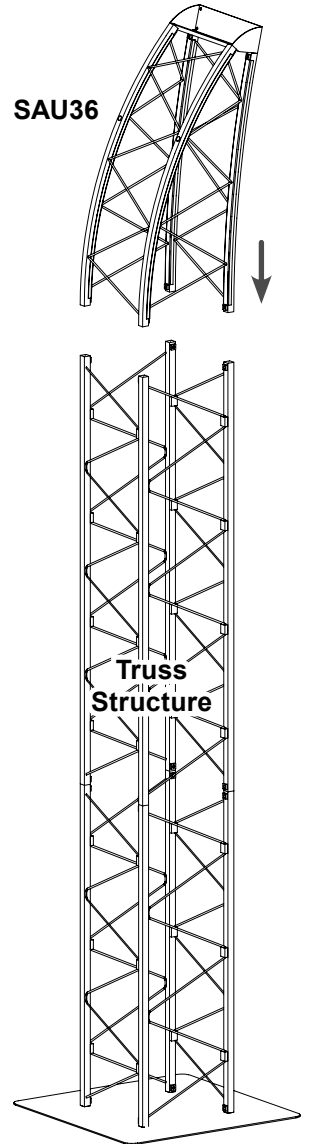
### Step 2

Loosely attach **Back** to **Cap**.



### Step 3

Insert the **Sides** between the **Front** and **Back** so that **Channels** are seated on **Tubes** as shown in **Detail** above and tighten all connections from steps 1 and 2.



### Step 4

Attach **SAU36** to **Truss Structure** and tighten all connections.

46122 - 10/24/06



Member

7316 Aspen Lane North  
suite 300  
Minneapolis MN 55428-1109

e mail: [info@interlockstructures.com](mailto:info@interlockstructures.com)  
web: [www.interlock.biz](http://www.interlock.biz)

# INTERLOCK®

Interlock Structures International, Inc.

voice: 763.425.1464  
800.468.1497  
fax: 763.425.8205