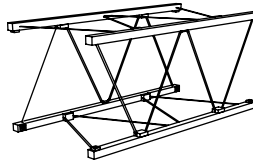


Assembly Instructions

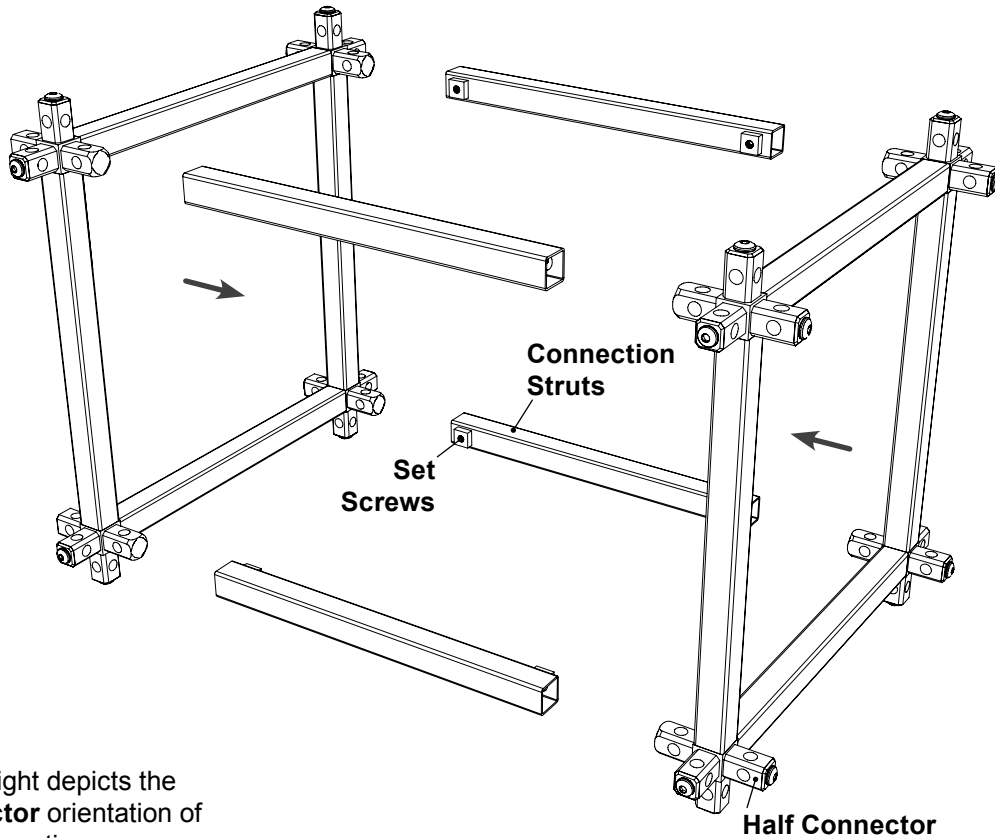
K/D Cube Intersection SQX28



STOWaway®

PAT.US 6,715,255 B2

Folding Truss System



Step 1

The diagram to the right depicts the correct **Half Connector** orientation of the **SQX28 K/D Intersection**.

Step 2

When assembling the intersection turn the **Connection Struts** so the **Set Screws** face the center of the intersection. This is to give the intersection the most desirable look. Then slide the Connection Struts onto the first half of the intersection.

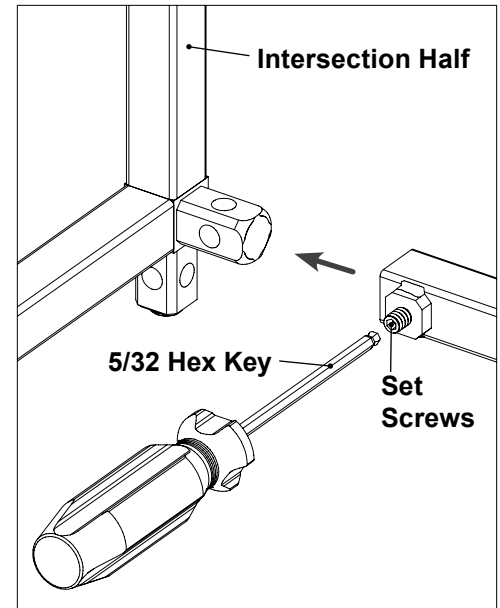
Tip: If the Connection Strut does not engage easily then loosen the set screw.

Step 3

Lightly tighten the Set Screws so the connection does not disengage. Then repeat the process for the second half of the intersection.

Step 4

Once both halves are together tighten all Set Screws with **5/32 Hex Key** provided.



42985 - 11/16/06



Member

7316 Aspen Lane North
suite 300
Minneapolis MN 55428-1109

e mail: info@interlockstructures.com
web: www.interlock.biz

INTERLOCK®

Interlock Structures International, Inc.

voice: 763.425.1464
800.468.1497
fax: 763.425.8205