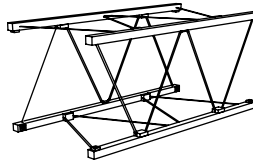


Assembly Instructions

Truss Connection & Folding Detail. Please Read Carefully!



STOWaway®

PAT.US 6,715,255 B2

Folding Truss System

Step 1

Insert the connectors into the tubes of one truss part.

Step 2

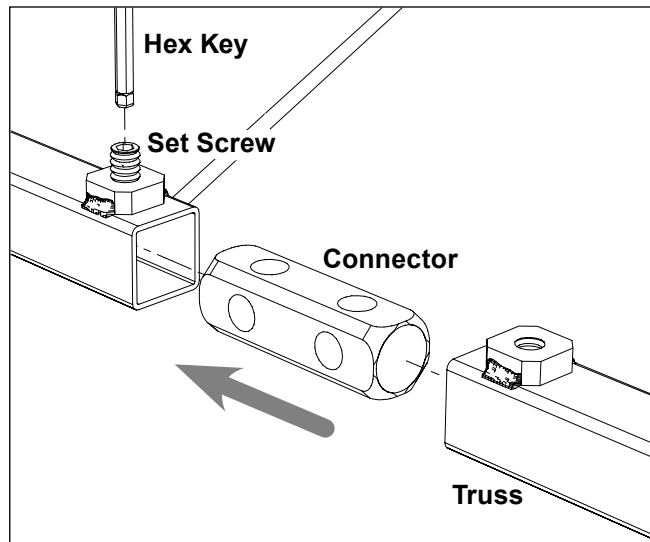
Lightly tighten the set screws so the connection does not disengage.

Step 3

Once all connectors are attached to the first truss part attach the second truss part the same way.

Step 4

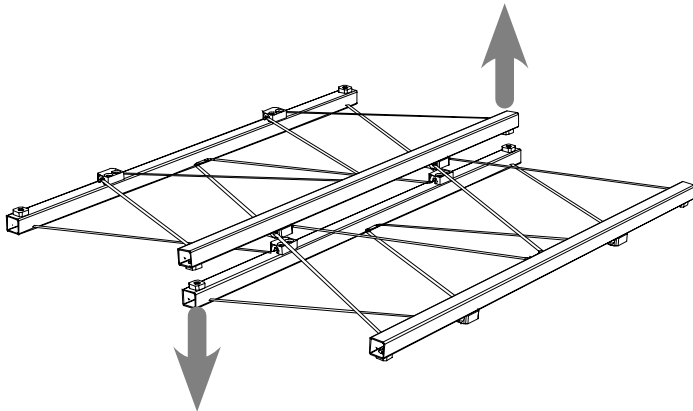
Once both parts are together tighten all set screws with 5/32 hex key provided.



Connection Detail

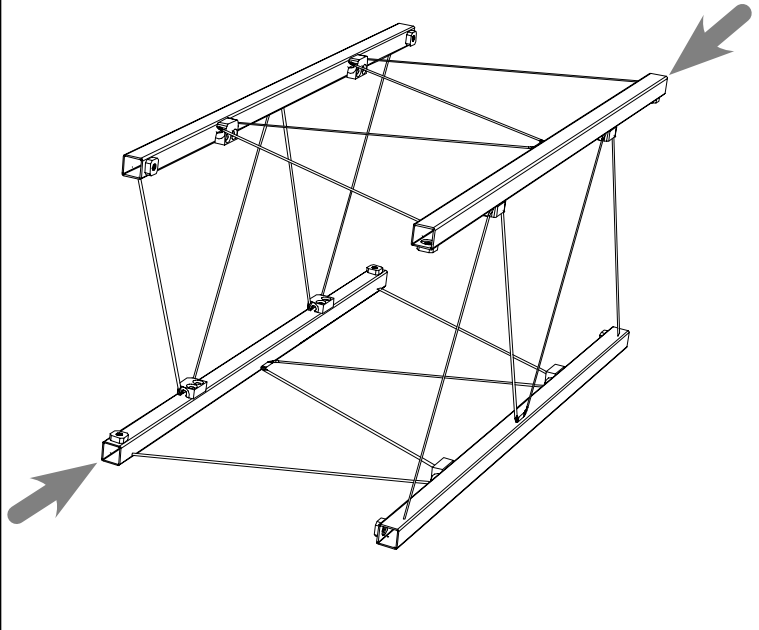
Assembly

Pull the two apposing tubes away from each other until the truss is square.



Folding

Push the two apposing tube towards each other until the tubes are together.



41081 - 05/02/06



Member

7316 Aspen Lane North
suite 300
Minneapolis MN 55428-1109

e mail: info@interlockstructures.com
web: www.interlock.biz

INTERLOCK®

Interlock Structures International, Inc.

voice: 763.425.1464
800.468.1497
fax: 763.425.8205