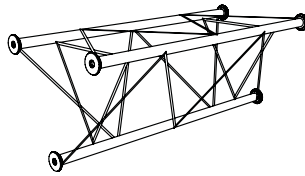


Assembly Instructions

Flat Screen Hanging Mount

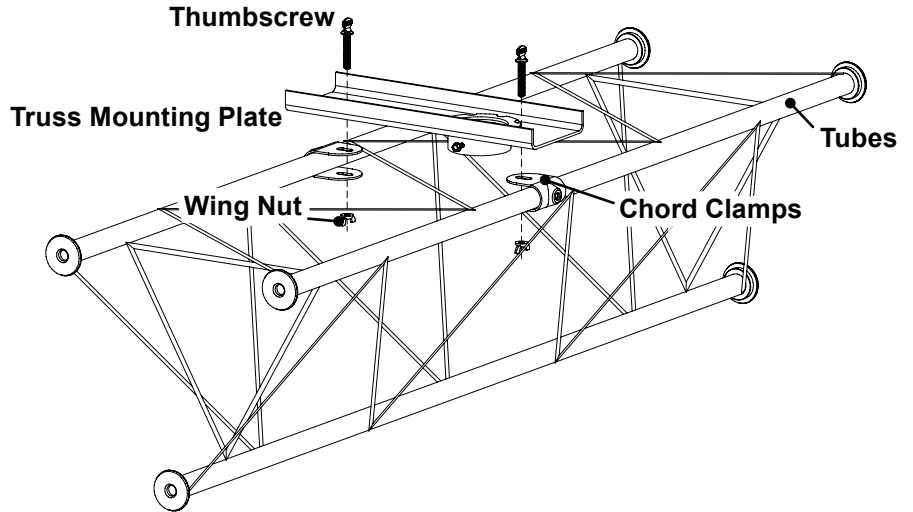


SNAPtruss®

PAT.US 4776721

Step 1

Slide the **Chord Clamps** over the Snaptruss **Tubes**. Using the **Thumbscrew** and **Wing Nut** to attach the **Truss Mounting Plate** to the truss as shown.



Step 2

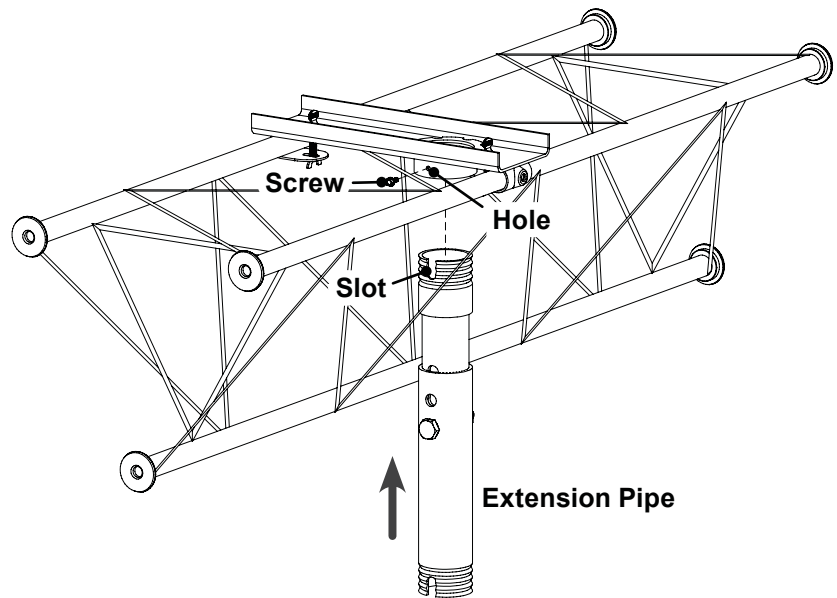
Thread the **Extension Pipe** into the Truss Mounting Plate.

Step 3

Align the **Slot** in the Extension Pipe with the **Hole** in the Truss Mounting Plate. Insert the **Screw** (found w/ the hardware for the monitor mount) to secure the Extension Pipe, as shown.

Step 4

Instructions for monitor mount assembly are in the box with the monitor mount.



41809 - 07/13/07



Member

7316 Aspen Lane North
suite 300
Minneapolis MN 55428-1109

e mail: info@interlockstructures.com
web: www.interlock.biz

INTERLOCK®

Interlock Structures International, Inc.

voice: 763.425.1464
800.468.1497
fax: 763.425.8205