

Assembly Instructions

Panel Clamp + Solid Panel

SAU38

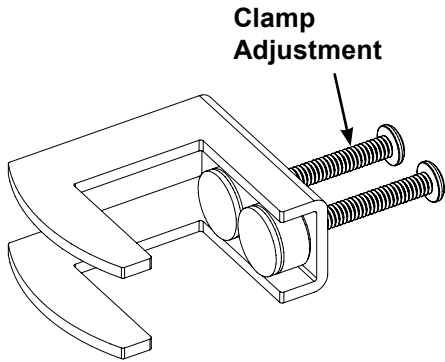
STOWaway[®]
Folding Truss System

PAT.US 6,715,255 B2

SNAPtruss[®]
Truss System

PAT.US 4776721

The Interlock Panel Clamp works with both STOWaway[®] and SNAPtruss[®] truss systems.



Step 1

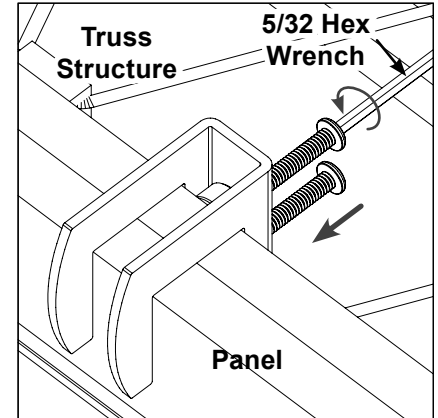
Adjust clamp width with 5/32 Hex Wrench.

Step 2

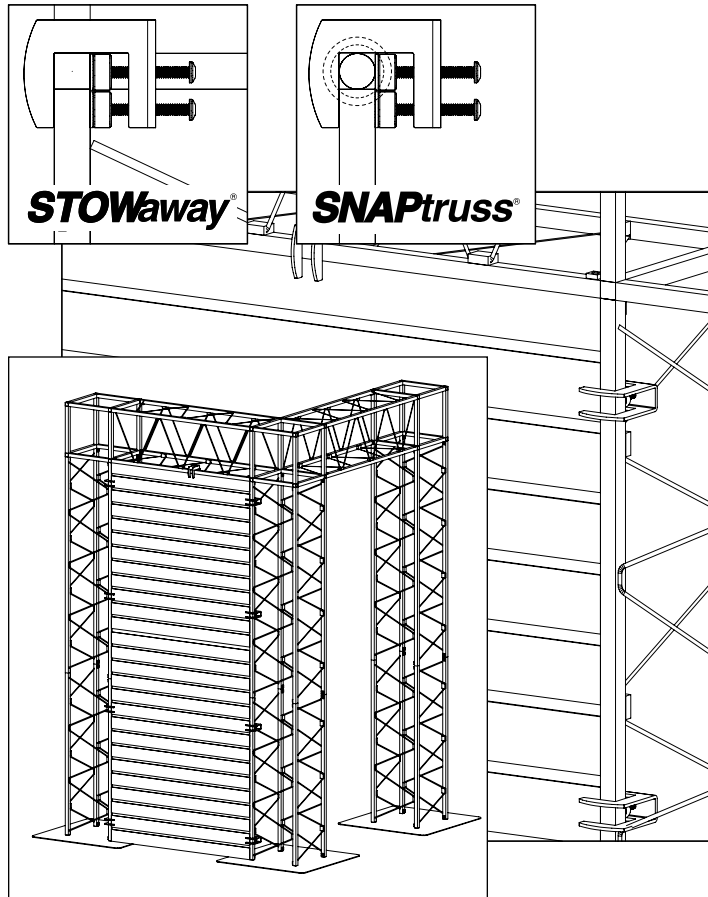
Position **Solid Panel** either flush or over **Truss Structure** (see below).

Step 3

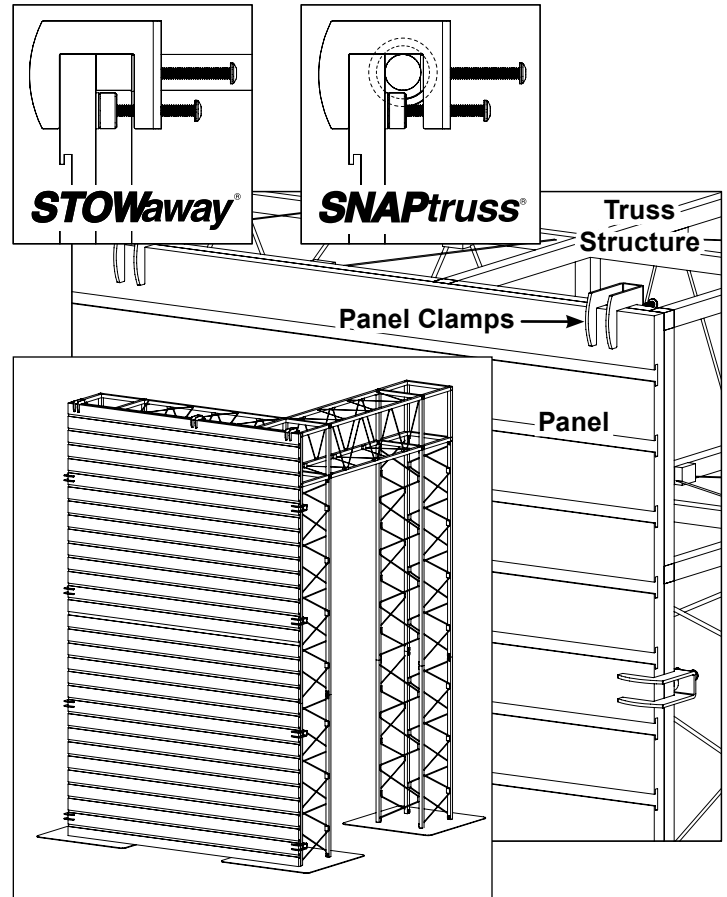
Position clamps and secure the solid panel to the truss structure by tightening the **Panel Clamps**.



Flush Mount



Surface Mount



52038 - 08/15/06



Member

7316 Aspen Lane North
suite 300
Minneapolis MN 55428-1109

e mail: info@interlockstructures.com
web: www.interlock.biz

INTERLOCK[®]
Interlock Structures International, Inc.

voice: 763.425.1464
800.468.1497
fax: 763.425.8205