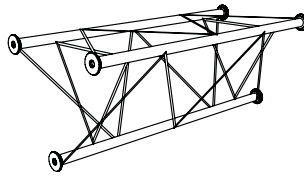


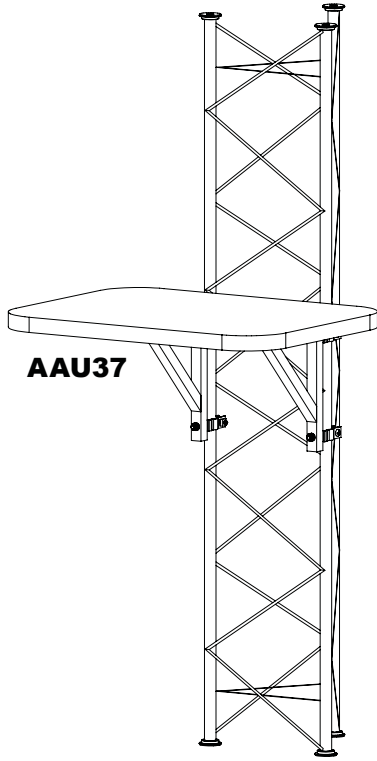
# Assembly Instructions

## Lap Top Kit AAU37



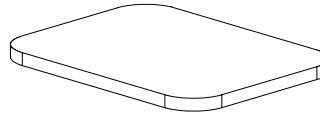
# SNAPtruss®

PAT.US 4776721



### Parts List:

- (1) - Laptop Shelf
- (2) - Shelf Brackets
- (8) - Screws
- (4) - Nuts
- (4) - Pipe Clamps



Laptop Shelf



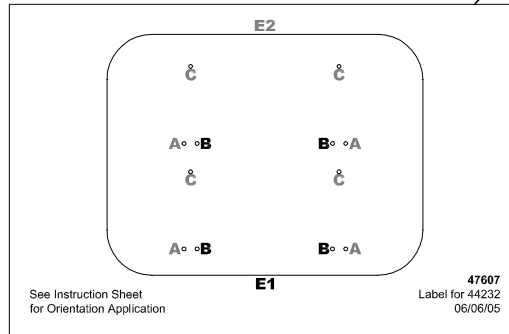
Pipe Clamps



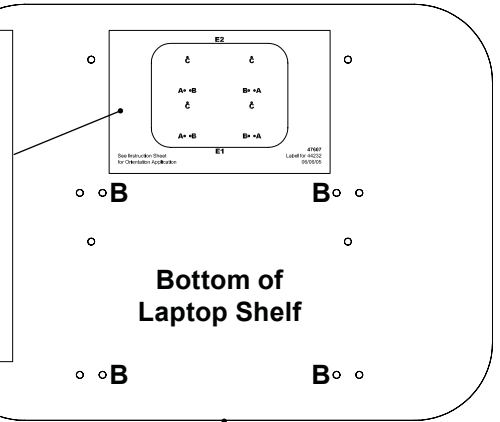
Shelf Brackets



Screws & Nuts



LABEL

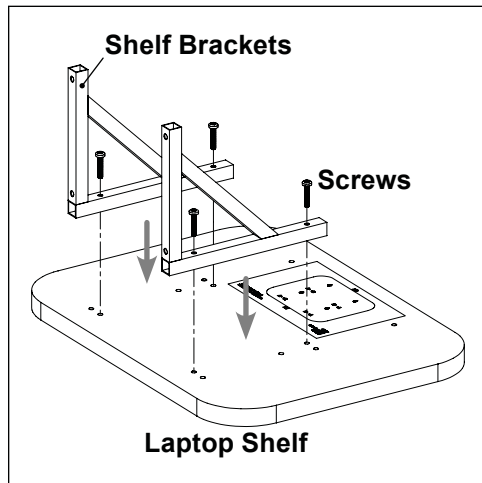


Bottom of Laptop Shelf

E1

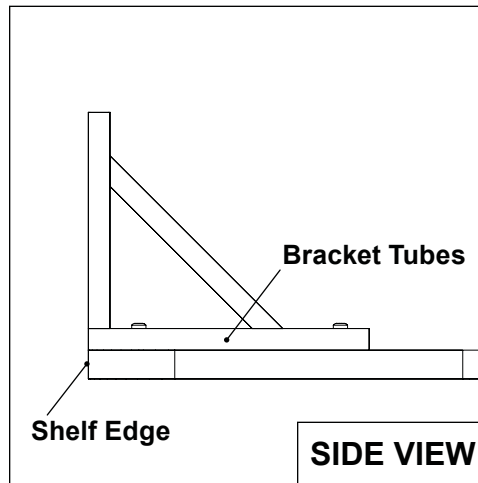
### Step 1

Refer to **Label** on bottom of **Laptop Shelf** and locate holes marked "B", and edge marked "E1" (use **Label** to orient shelf & determine edge "E1").



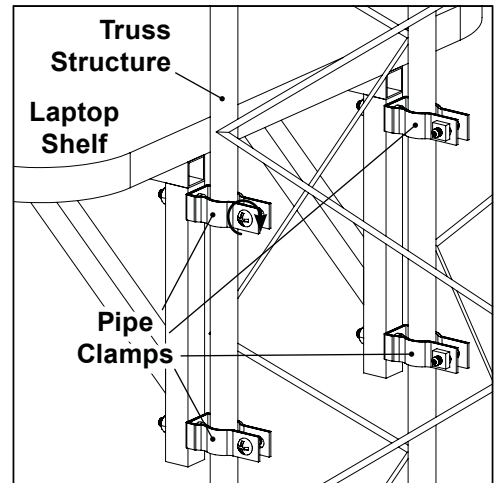
### Step 2

Connect **Shelf Brackets** to the **Laptop Shelf** using holes marked "B" on label with **Screws**.



### Step 3

Insure that **Bracket Tubes** are oriented as shown with **Shelf Edge** marked "E1" on label and tighten screws.



### Step 4

Attach **Laptop Shelf** with **Brackets** to **Truss Structure** in desired location with **Pipe Clamps**.

52676 - 07/30/07



Member

7316 Aspen Lane North  
suite 300  
Minneapolis MN 55428-1109

e mail: [info@interlockstructures.com](mailto:info@interlockstructures.com)  
web: [www.interlock.biz](http://www.interlock.biz)

voice: 763.425.1464  
800.468.1497  
fax: 763.425.8205

# INTERLOCK®

Interlock Structures International, Inc.