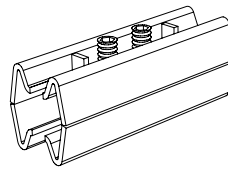


Assembly Instructions

Connection Detail

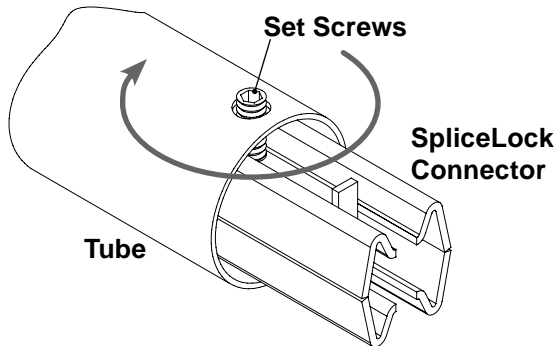


SPLICElock

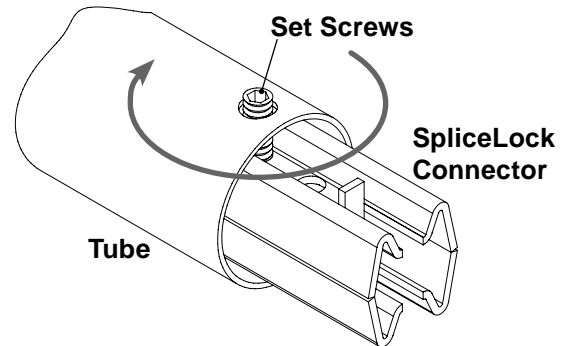
Step 1

Insert **SpliceLock Connector** into one end of the **Tube**. Align hole in the Tube with the hole in the SpliceLock Connector, insert the **Set Screw** and hand tighten slightly.

Single - Lock



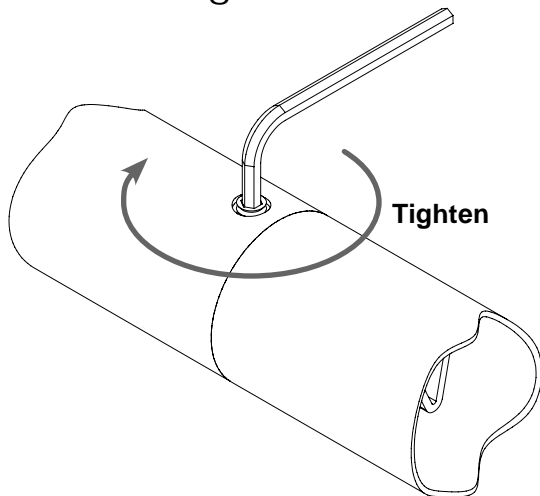
Double - Lock



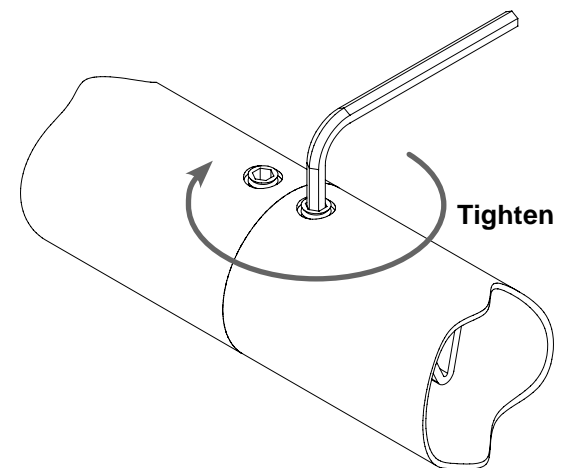
Step 2

Slide second tube over the SpliceLock Connector (in the Double-Lock SpliceLock Connection, aligning the holes, insert the second Set Screw) and **Tighten** the Set Screw(s).

Single - Lock



Double - Lock



Resultant Action:

The SpliceLock contacts pipe inside diameter in four areas along the full length to insure alignment and maximum strength. The two screws also cause pinning action in both pieces for added strength.

41812 - 04/05/07

INTERLOCK
Interlock Structures International, Inc.



Member

7316 Aspen Lane North
suite 300
Minneapolis MN 55428-1109

e mail: info@interlockstructures.com
web: www.interlock.biz

voice: 763.425.1464
800.468.1497
fax: 763.425.8205