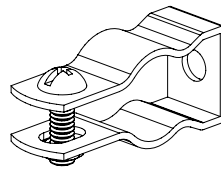
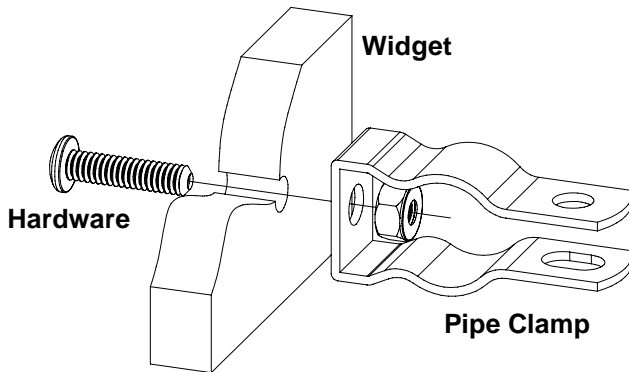


# Assembly Instructions

## Connection Detail

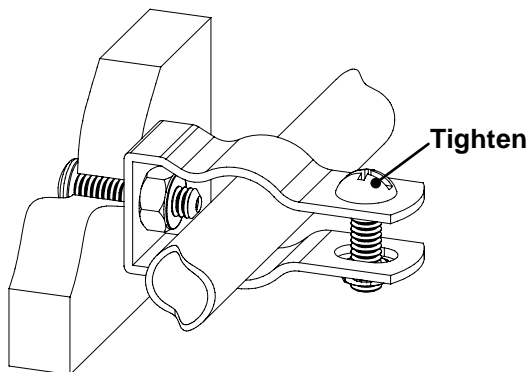


# PIPEclamp



### Step 1

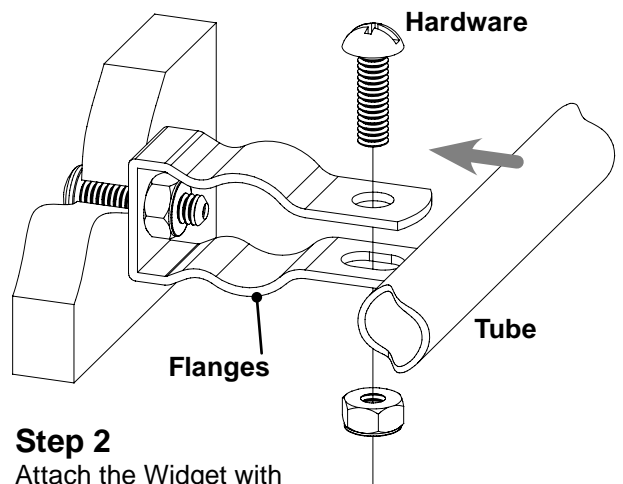
Attach the **Pipe Clamp** to the **Widget** that will be connected to a round tube with the **Hardware** provided.



### Step 3

To complete the connection, **Tighten** all hardware provided making sure not to overtighten.

**Note:** The size of the Pipe Clamp and the hardware provided will vary based on the tube size, connection method and what is being attached.



### Step 2

Attach the Widget with Pipe Clamp to the **Tube** by inserting the Tube between the Pipe Clamp **Flanges** and assembling **Hardware** provided.

**Important:** Incorrect use of the Pipe Clamp can result in failure. Please check with INTERLOCK to validate whether the Pipe Clamp is suited for your application.

52601 - 03/29/07



Member

7316 Aspen Lane North  
suite 300  
Minneapolis MN 55428-1109

e mail: [info@interlockstructures.com](mailto:info@interlockstructures.com)  
web: [www.interlock.biz](http://www.interlock.biz)

voice: 763.425.1464  
800.468.1497  
fax: 763.425.8205

# INTERLOCK<sup>®</sup>

Interlock Structures International, Inc.