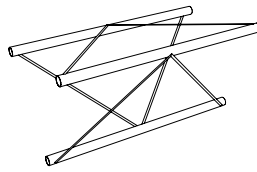


Assembly Instructions

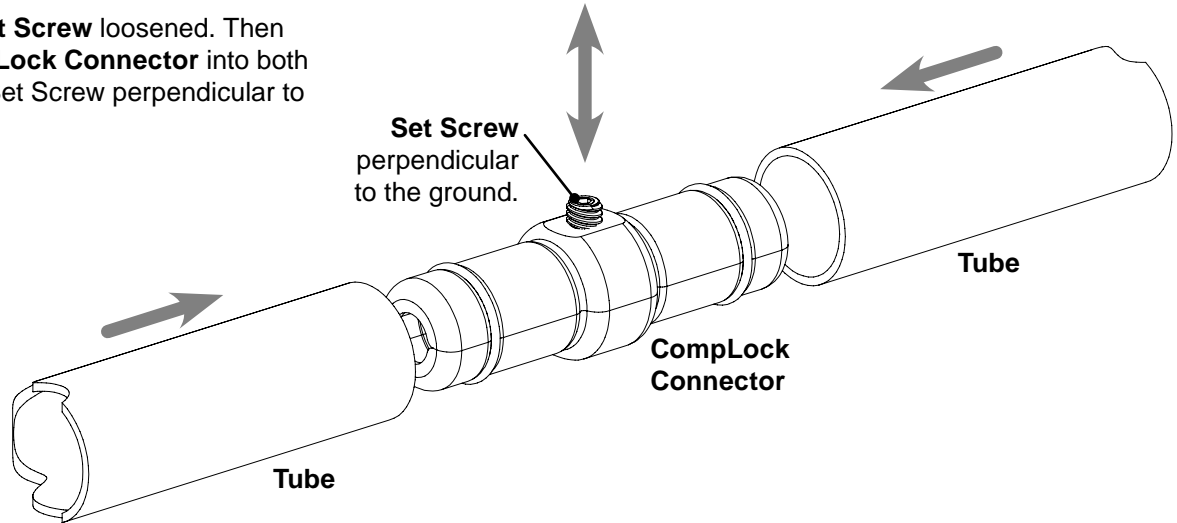
Connection Detail



DYNAform

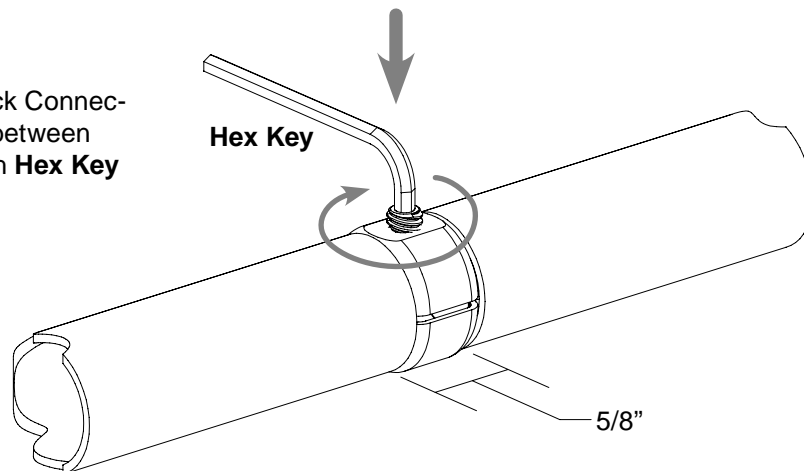
Step 1

Start with the **Set Screw** loosened. Then insert the **CompLock Connector** into both **Tubes** with the Set Screw perpendicular to the ground.



Step 2

Once both ends of the CompLock Connector are inserted with a 5/8" gap between tubes, tighten the Set Screw with **Hex Key** provided.



Note: This connection was designed to work best with the Box and Triangular Truss configurations. Using this connection with a single chord or flat Truss will give a less than rigid connection.

41805 - 04/05/07

INTERLOCK
Interlock Structures International, Inc.



Member

7316 Aspen Lane North
suite 300
Minneapolis MN 55428-1109

e mail: info@interlockstructures.com
web: www.interlock.biz

voice: 763.425.1464
800.468.1497
fax: 763.425.8205