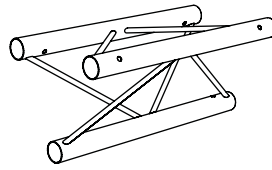


Assembly Instructions

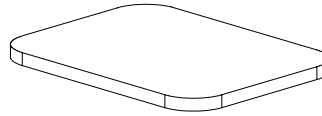
Lap Top Kit TAU37



FORtruss™

Parts List:

- (1) - Laptop Shelf
- (2) - Shelf Brackets
- (8) - Screws
- (4) - Nuts
- (4) - Pipe Clamps



Laptop Shelf



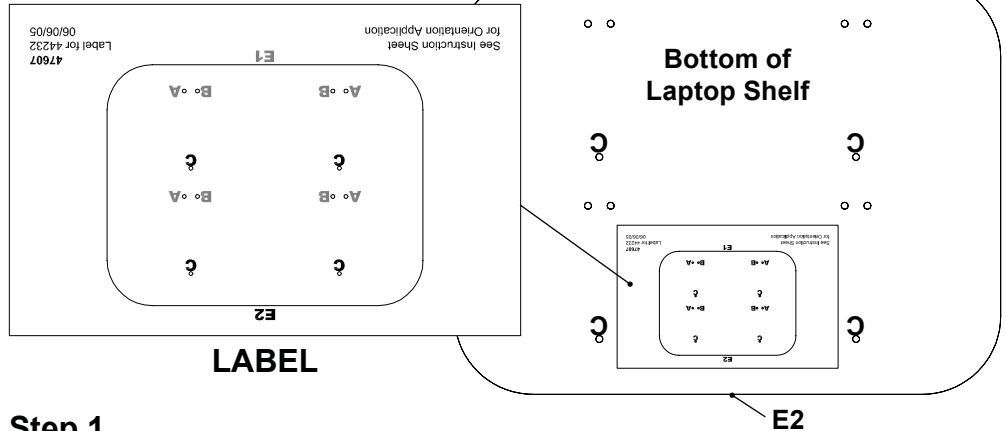
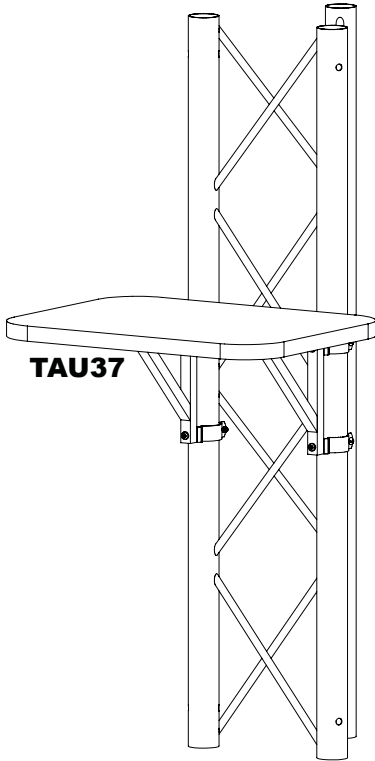
Pipe Clamps



Shelf Brackets



Screws & Nuts



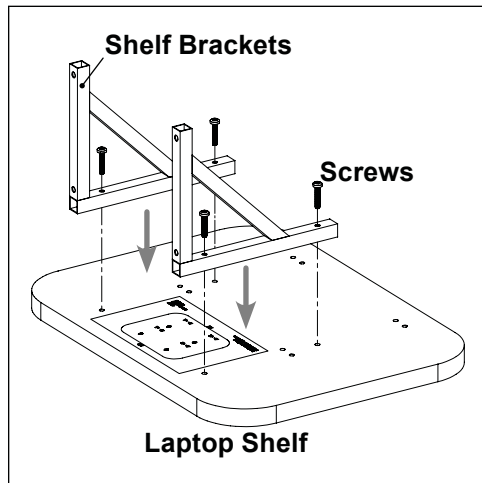
LABEL

Bottom of
Laptop Shelf

E2

Step 1

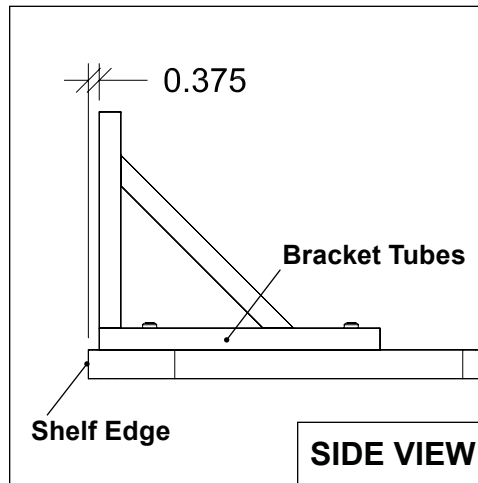
Refer to **Label** on bottom of **Laptop Shelf** and locate holes marked "C", and edge marked "E2" (use **Label** to orient shelf & determine edge "E2").



Shelf Brackets

Screws

Laptop Shelf



0.375

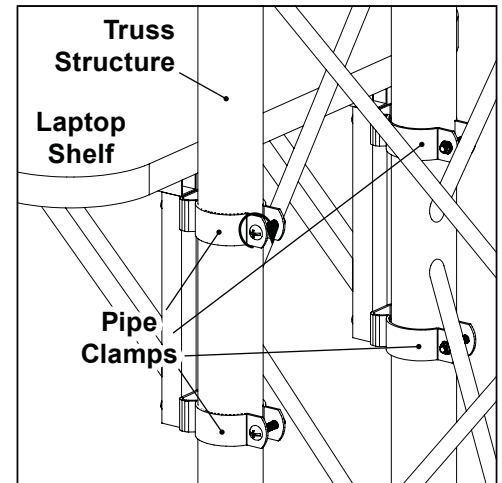
Bracket Tubes

Shelf Edge

SIDE VIEW

Step 3

Insure that **Bracket Tubes** are oriented as shown with **Shelf Edge** marked "E2" on label and tighten screws.



Truss
Structure

Laptop
Shelf

Pipe
Clamps

Step 2

Connect **Shelf Brackets** to the **Laptop Shelf** using holes marked "C" on label with **Screws**.

Step 4

Attach **Laptop Shelf** with **Brackets** to **Truss Structure** in desired location with **Pipe Clamps**.

52679 - 08/10/07



Member

7316 Aspen Lane North
suite 300
Minneapolis MN 55428-1109

e mail: info@interlockstructures.com
web: www.interlock.biz

INTERLOCK®

Interlock Structures International, Inc.

voice: 763.425.1464
800.468.1497
fax: 763.425.8205