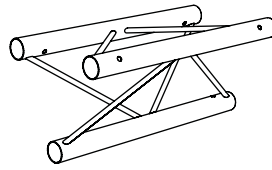


# Assembly Instructions

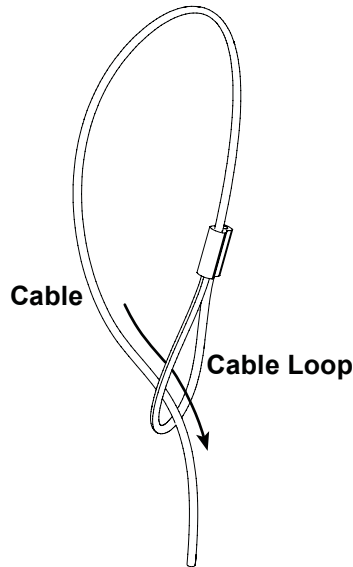
## Cable Gripper Connection



# FORtruss™

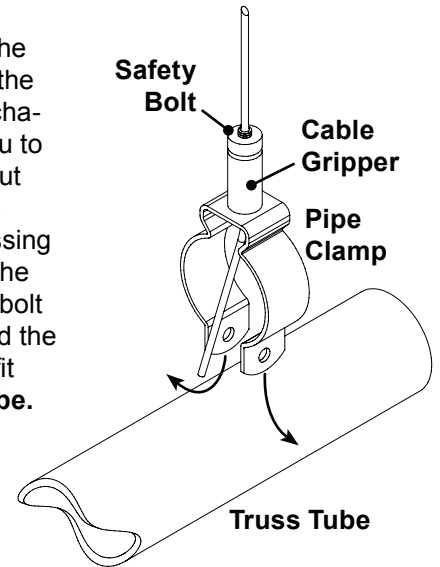
### Step 1

Attach the suspension **Cable** to a secure ceiling structure. One end of the **Cable** has a **Cable Loop**. If so desired, loop the **Cable** around the ceiling structure for attachment. Only if it is in accordance with local building codes.



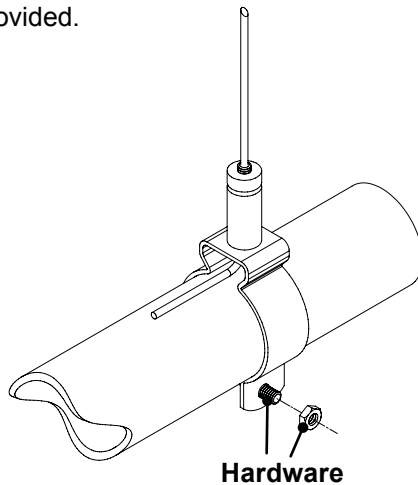
### Step 2

Feed the **Cable** into the **Cable Gripper** from the top. The Gripper mechanism will not allow you to pull the **Cable** back out without loosening the **Safety Bolt** and pressing down. Then remove the **Pipe Clamp** nut and bolt (if connected). Spread the **Pipe Clamp** apart to fit around the **Truss Tube**.



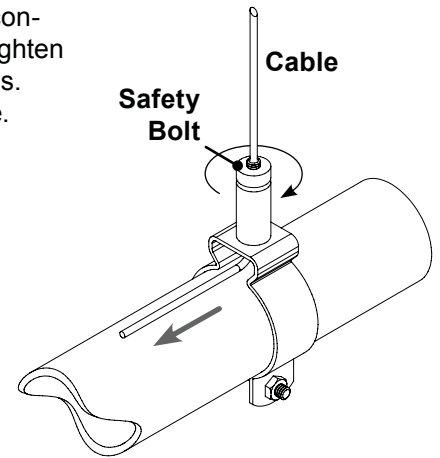
### Step 3

Bolt the **Pipe Clamp** together with the **Hardware** provided.



### Step 4

Pull the **Cable** to desired length. Once all the connections are made, tighten any loose connections. Cut any excess cable.



**Warning safety bolt on the cable gripper must be tightened.**

### Important

Care must be taken to use cable and installation of cable as per applicable building and safety codes.

**All connections must be fully tightened when completed to insure maximum holding strength!** Do NOT attach the cable on the truss systems connections. Hang cables at least 2 per truss or as required to handle loading and balance of the truss structure. Cables shall not be spaced more than 8 to 10 feet apart. Ceiling support structure must be rated for the total weight in accordance with the American Iron and Steel Institute and/or as determined by a Professional Engineer/Architect.

41817 08/02/07

**INTERLOCK**  
Interlock Structures International, Inc.



Member

7316 Aspen Lane North  
suite 300  
Minneapolis MN 55428-1109

e mail: [info@interlockstructures.com](mailto:info@interlockstructures.com)  
web: [www.interlock.biz](http://www.interlock.biz)

voice: 763.425.1464  
800.468.1497  
fax: 763.425.8205