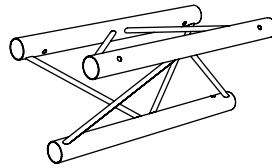


Vertex Guide

Table of Contents



FORtruss™

90° Corner
TKC

Page 2

90° Corner 3 Way
TKS

Page 3

INTERLOCK®
Interlock Structures International, Inc.



Member

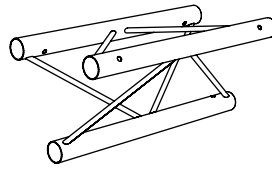
7316 Aspen Lane North
suite 300
Minneapolis MN 55428-1109

e mail: info@interlockstructures.com
web: www.interlock.biz

voice: 763.425.1464
800.468.1497
fax: 763.425.8205

Vertex Guide

Square Corner 90°
TKC1, TKC2, & TKC3



FORtruss™



Horizontal Vertex
(HV) Up*



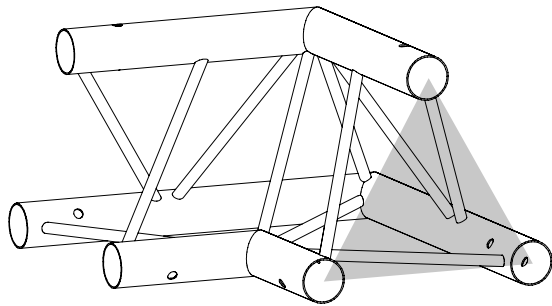
Horizontal Vertex
(HV) Down*



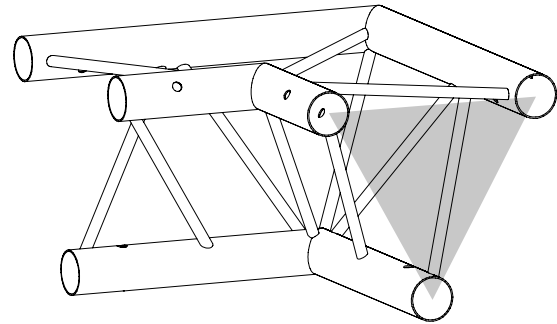
Inside Vertex
(IV)*



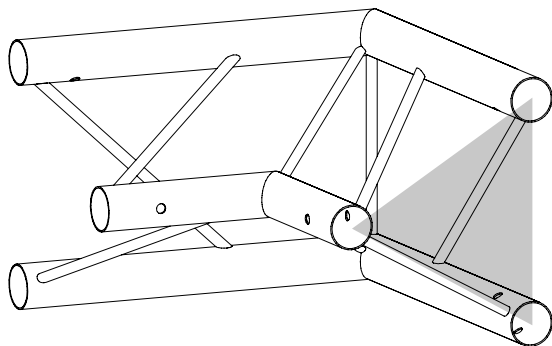
Outside Vertex
(OV)*



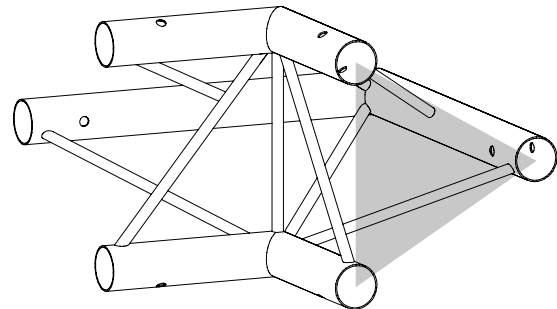
TKC1 ▲



TKC1 ▼



TKC2 ◀



TKC3 ▶

*NOTE: Vertex orientation is related to parts as shown.

INTERLOCK[®]
Interlock Structures International, Inc.



Member

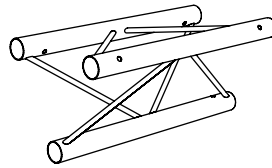
7316 Aspen Lane North
suite 300
Minneapolis MN 55428-1109

e mail: info@interlockstructures.com
web: www.interlock.biz

voice: 763.425.1464
800.468.1497
fax: 763.425.8205

Vertex Guide

Square Corner 90° 3 Way
TKS1, TKS2, TKS3, & TKS4



FORtruss™



Horizontal Vertex
(HV) Up*



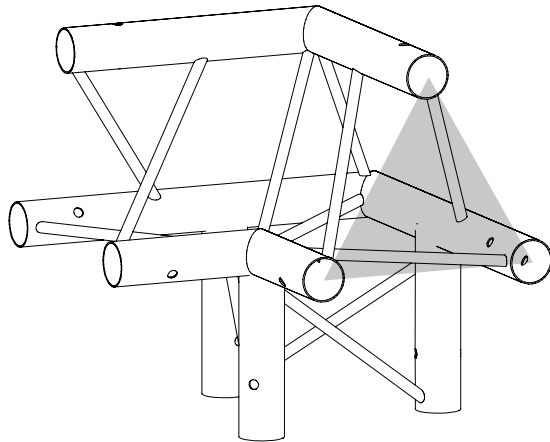
Horizontal Vertex
(HV) Down*



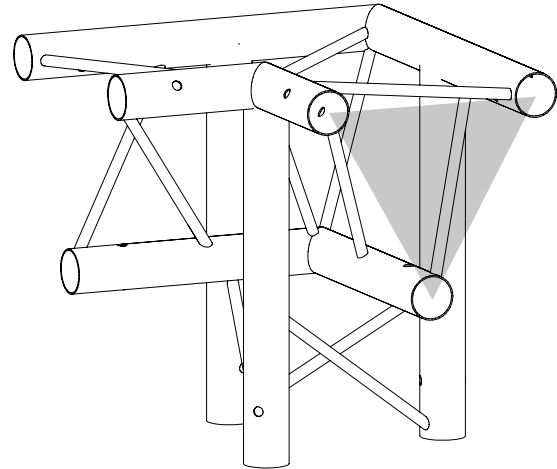
Inside Vertex
(IV)*



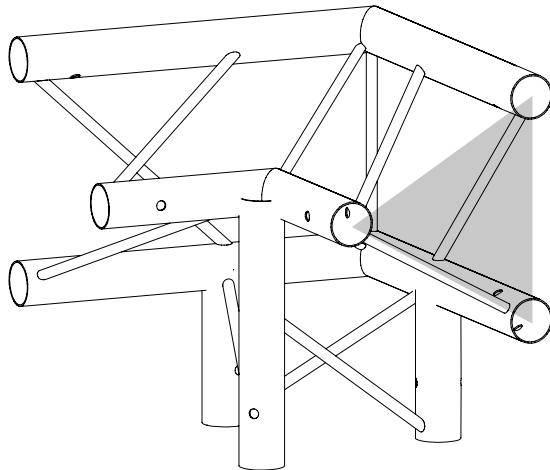
Outside Vertex
(OV)*



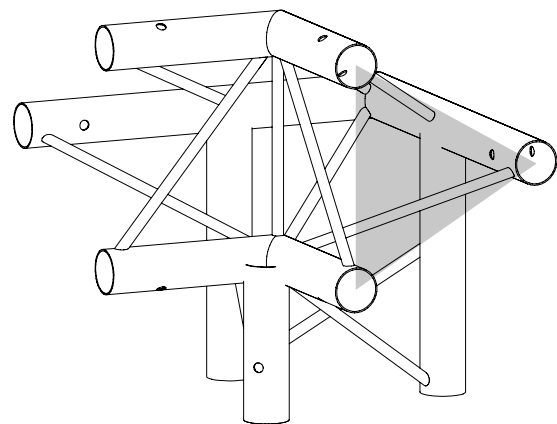
TKS1 ▲



TKS4 ▼



TKS2 ◀



TKS3 ▶

*NOTE: Vertex orientation is related to parts as shown.

INTERLOCK
Interlock Structures International, Inc.



Member

7316 Aspen Lane North
suite 300
Minneapolis MN 55428-1109

e mail: info@interlockstructures.com
web: www.interlock.biz

voice: 763.425.1464
800.468.1497
fax: 763.425.8205